



- Best used with AmCraft Curtain Walls
- Can be used with Existing Curtains
- Track Replacement Components
- Galvanized and Stainless Steel Available
- . . . and more!

Customer Guide

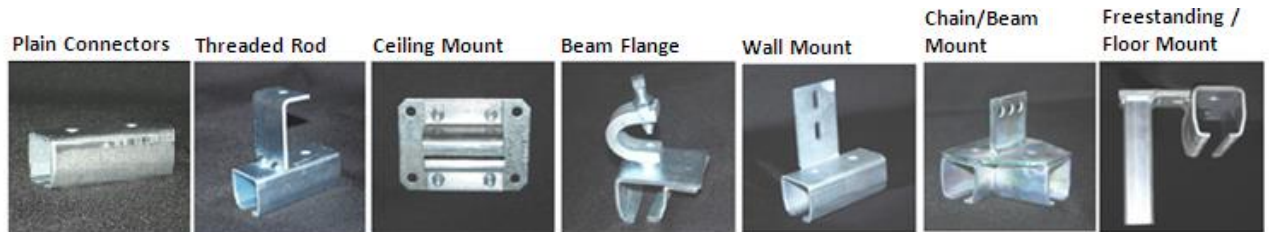
580 Lively Boulevard, Elk Grove Village, IL 60007

Toll-Free | 877.713.4209

Phone | 847.439.4565

Fax | 847.439.2194

There are 7 different track mounting systems to choose from:



Track sections come in different lengths:

2', 4', 5', 6', 7', 8', 10'

We highly recommend to work with track sections up to **5' length** for the following reasons:

- 1) The track needs **support every 5'-6' for stability** of the entire track system.
- 2) It is most **economical to ship on 5' long pallets**. The pallet also protects the track from being bent and/or damaged through shipping.

AmCraft Manufacturing, Inc.

580 Lively Boulevard

Elk Grove Village, IL 60007

sales@amcraftonline.com

www.amcraftmanufacturing.com

What mounting system is used best with your existing structure?

Plain Connectors

Plain connectors are traditionally used where there is a track connection, but no access directly above the area to use a mount system or support.

Threaded Rod

The threaded rod mounting system is a track system that accommodates the following surface requirements:

- For use when there are no easily accessible structures near the track
- Ideal for leveling out the slopes or pitches on the track run
- Lower the track

Ceiling Mount

Ceiling Type mounting is used for mounting directly to the ceiling or any flat, horizontal surface directly above the curtain.

Beam Flange

The Beam Flange Mount System is used for attachment to roof truss sections, beams, and channels. The C-clamp can be rotated for proper alignment.

Wall Mount

Wall Mounting is a track system option that is used to attach to walls or any vertical surface. It may be used with other mounting options.

Chain / Beam Mount

The chain or beam mount track system is a curtain track system that attaches onto a side of a flat-sided beam. This track system can also attach to chains suspending from an existing structure.

Freestanding / Floor Mount

The floor column / freestanding mount system has a base and tube assembly that permits assembly in any area. The standard height options are 6', 8', 9' and 10'.

AmCraft Manufacturing, Inc.

580 Lively Boulevard

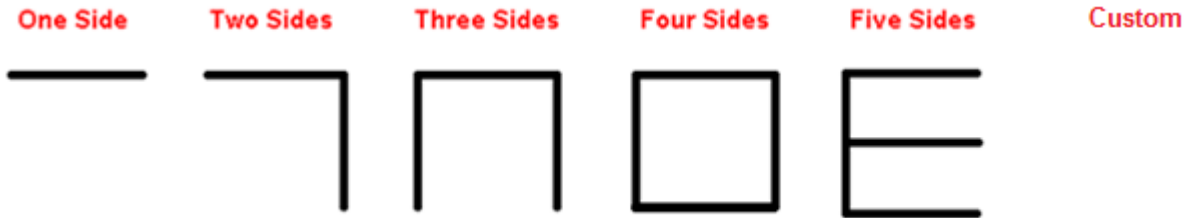
Elk Grove Village, IL 60007

sales@amcraftonline.com

www.amcraftmanufacturing.com

Questions:

1) What is the layout of the track system?



2) Indoor or Outdoor? _____

3) What is the application? _____

4) What Mounting System do you require? _____

5) Additional Project Details

Details specific to a project may be necessary to note if it is a special construction and/or material request.

Examples of special details are: Obstructions, custom track layouts, etc.

<p>Application:</p> <hr/>
<p>Notes:</p> <hr/> <hr/> <hr/> <hr/> <hr/> <hr/> <hr/>

AmCraft Manufacturing, Inc.
580 Lively Boulevard
Elk Grove Village, IL 60007
sales@amcraftonline.com
www.amcraftmanufacturing.com

AmCraft Manufacturing, Inc.

580 Lively Boulevard

Elk Grove Village, IL 60007

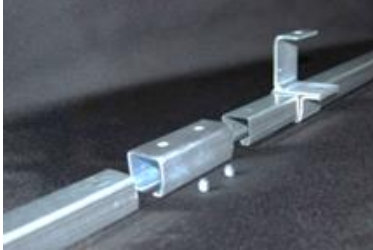
sales@amcraftonline.com

www.amcraftmanufacturing.com

General Information on Track Systems

We recommend a support attachment every 5 feet to secure your track system.

Plain Connectors



Plain connectors are traditionally used where there is a track connection, but no access directly above the area to use a mount system or support.

For example, a threaded rod connector implies that the connection between two track sections has a structural attachment point directly above it. The plain connector joins the track sections and is used with split supports, which allow the attachment points to accommodate irregular attachment point distances.

The split supports can attach at any given point along the track section (except over a plain connector) to insure the complete track system is supported properly.

AmCraft Manufacturing, Inc.

580 Lively Boulevard

Elk Grove Village, IL 60007

sales@amcraftonline.com

www.amcraftmanufacturing.com

Threaded Rod



The threaded rod mounting system is a track system that accommodates the following surface requirements:

- For use when there are no easily accessible structures near the track
- Ideal for leveling out the slopes or pitches on the track run
- Lower the track



Curved Track with Threaded Rod Support and attached connector on each end and on the center.

Each Threaded Rod Connector needs a threaded rod 3/8"-16 with 2 or 3 nuts.



Threaded Rod Clamp

Options to mount the top end of the Threaded Rod onto the existing structure:

AmCraft Manufacturing, Inc.

580 Lively Boulevard

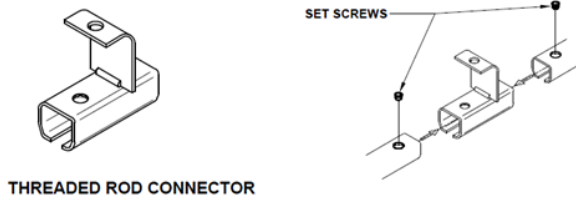
Elk Grove Village, IL 60007

sales@amcraftonline.com

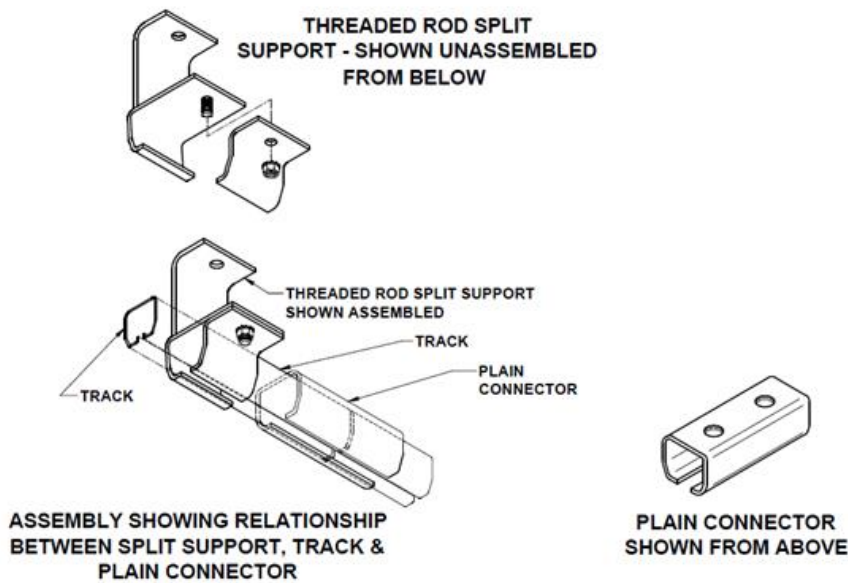
www.amcraftmanufacturing.com

- Threaded Rod Clamp
- Ceiling Plates for Threaded Rod
- Put the Threaded Rod through the Unistrut
- Spring Steel Threaded Rod Hangers
- Angle Brackets for Threaded Rods

Threaded Rod Connector (connects and supports)



Threaded Rod Split Support (used together with plain connectors) (just a support)



If you are not able to support the track at the same point that sections are connected, you should use threaded rod split supports, which will allow you to support at any point, except over a plain connector. Track is available.

AmCraft Manufacturing, Inc.

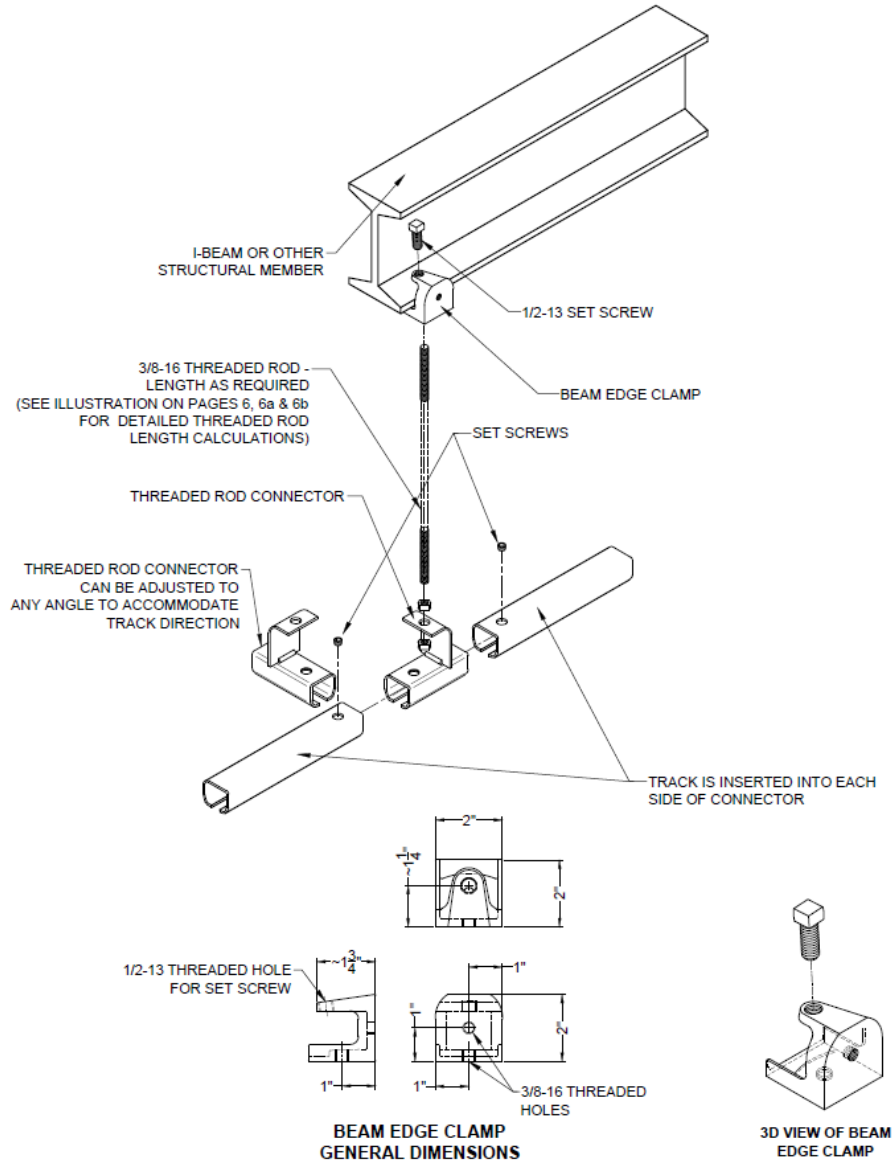
580 Lively Boulevard

Elk Grove Village, IL 60007

sales@amcraftonline.com

www.amcraftmanufacturing.com

EXAMPLE OF TRACK RUNNING PARALLEL OR PERPENDICULAR TO STRUCTURAL SUPPORT, USING THREADED ROD CONNECTORS AND THREADED RODS TO LEVEL TRACK OR LOWER TRACK ELEVATION



AmCraft Manufacturing, Inc.

580 Lively Boulevard

Elk Grove Village, IL 60007

sales@amcraftonline.com

www.amcraftmanufacturing.com

Ceiling Mount



Ceiling Type mounting is used for mounting directly to the ceiling or any flat, horizontal surface directly above the curtain.



Curved Track with two attached ceiling connectors on each end and one attached support in the center.

Please Note:

To mount a ceiling connector, you need a 5" x 3-3/5" wide surface.

To mount a ceiling mount split support, you need da 4-5/8" x 2" wide surface.



AmCraft Manufacturing, Inc.

580 Lively Boulevard

Elk Grove Village, IL 60007

sales@amcraftonline.com

www.amcraftmanufacturing.com

Beam Flange

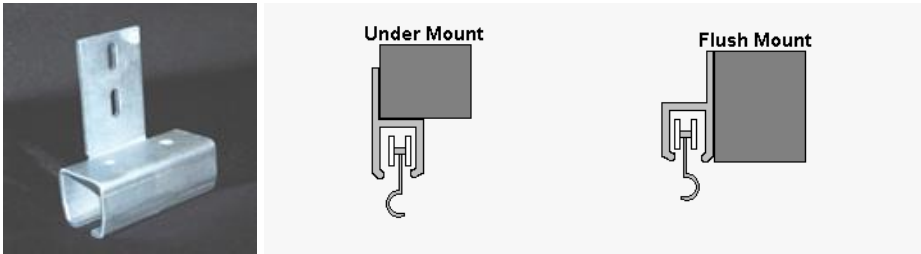


The Beam Flange Mount System is used for attachment to roof truss sections, beams, and channels. The C-clamp can be rotated for proper alignment.

Wall Mount

Wall Mounting is a track system option that is used to attach to walls or any vertical surface. It may be used with other mounting options.

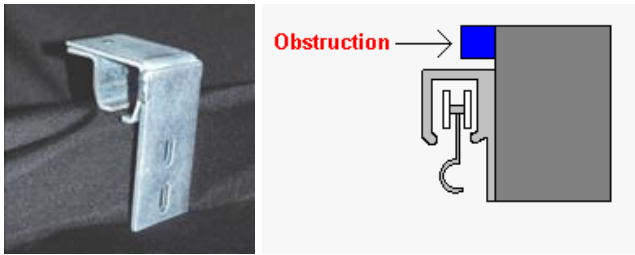
Wall Mount Flange Up



For the wall mounted track system – flange up, you have the option to either under mount or flush mount to your existing surface(s). Selecting the desired option is important because it changes the height of the curtain wall.

AmCraft Manufacturing, Inc.
580 Lively Boulevard
Elk Grove Village, IL 60007
sales@amcraftonline.com
www.amcraftmanufacturing.com

Wall Mount Flange Down



The wall mounted track system – flange down is used where the existing structure is a wall or vertical structure, but obstructions occur above the intended curtain track area that prohibit mounting the system to surface using the wall mount flange up track option.

Chain / Beam Mount



The chain or beam mount track system is a curtain track system that attaches onto a side of a flat-sided beam. This track system can also attach to chains suspending from an existing structure.

AmCraft Manufacturing, Inc.

580 Lively Boulevard

Elk Grove Village, IL 60007

sales@amcraftonline.com

www.amcraftmanufacturing.com

Freestanding / Floor Mount



The floor column / freestanding mount system has a base and tube assembly that permits assembly in any area. The standard height options are 6', 8', 9' and 10'.

The freestanding curtain track system can be used to create a free-standing softwall curtain enclosure. For a module curtain track solution that is self-supported by a galvanized steel base-column-bracket tube assembly, this curtain track option requires no attachment to an existing structure. Depending on the size of your industrial curtain project, we would add Unistrut sections where needed to provide optimal support of your freestanding curtain track frame. (see next page for illustration).

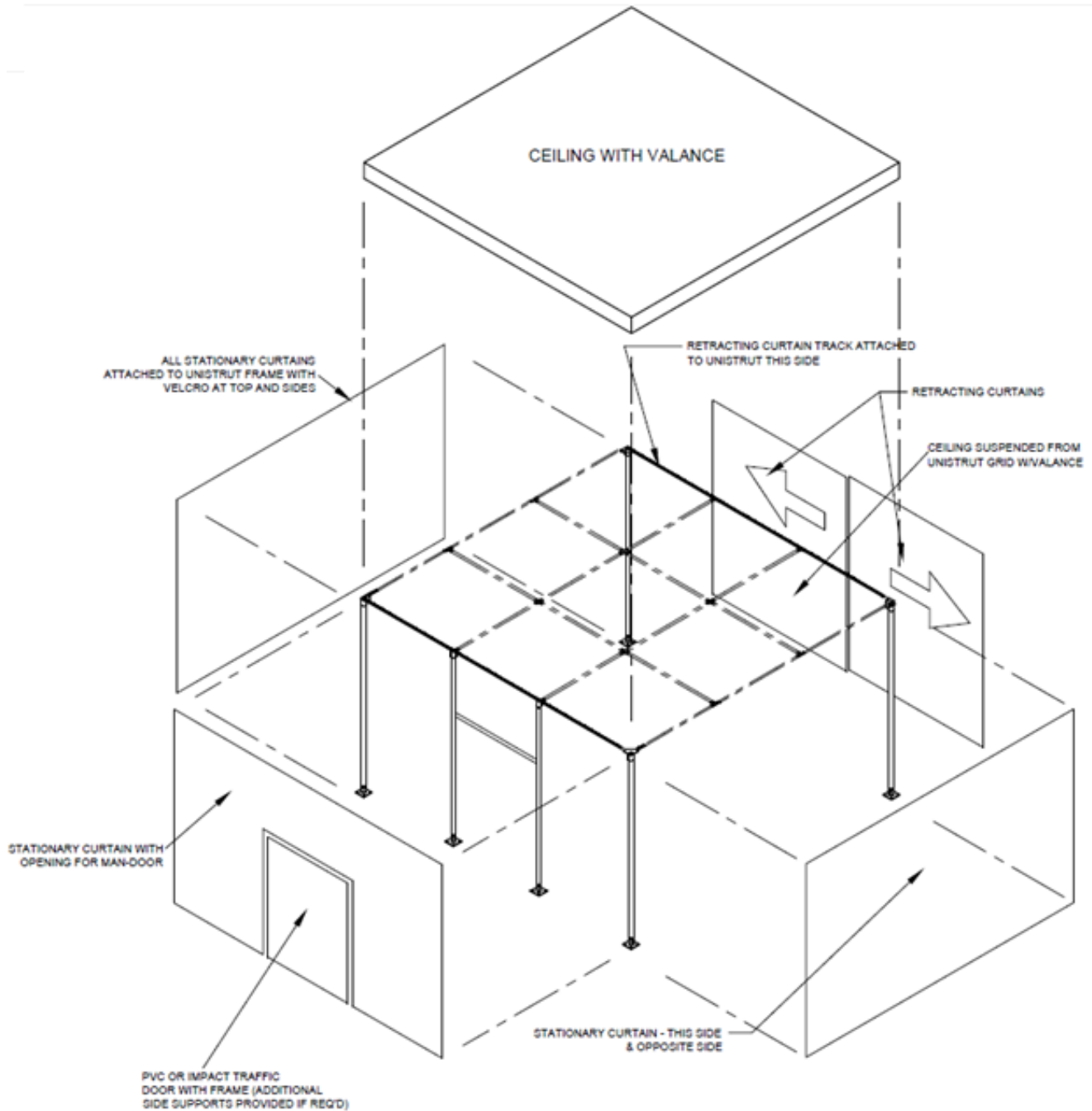
AmCraft Manufacturing, Inc.

580 Lively Boulevard

Elk Grove Village, IL 60007

sales@amcraftonline.com

www.amcraftmanufacturing.com



AmCraft Manufacturing, Inc.

580 Lively Boulevard

Elk Grove Village, IL 60007

sales@amcraftonline.com

www.amcraftmanufacturing.com