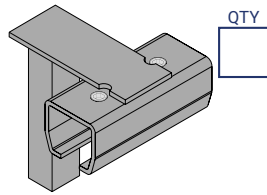




Step 1 - Item Quantity Check

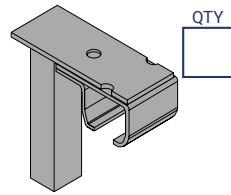
Make sure you received all the parts you ordered by:

- Take the packing list on the side of one of the boxes off
- Compare packing list with the received parts
- If you need a visual matching of the part number please note page 2



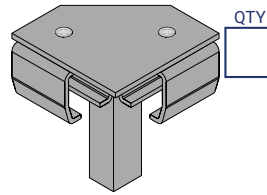
Floor Mount Connector

2x Set Screws included
P/N: FCC-K55A



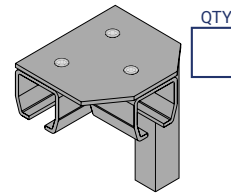
Floor Mount Split Support

P/N: FCS-K55



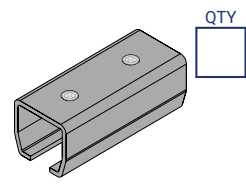
Floor Mount Corner Connector

2x Set Screws included
P/N: FCA-K52



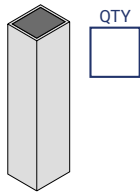
Floor Mount T-Connector

3x Set Screws included
P/N: FCT-K53

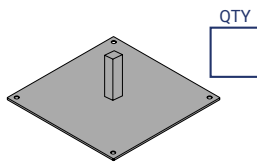


Plain Connector

P/N: PC-K38

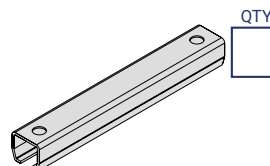


Floor Column

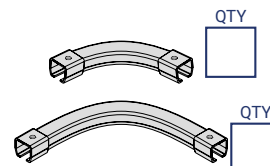


Floor Mount Base Plate (12"x12")

P/N: FCBFC6P-K51

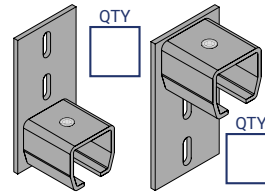


Straight Track



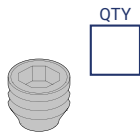
Curve Track

45° - P/N: 45P-K27
90° - P/N: 90P-K25
2x Set Screws included



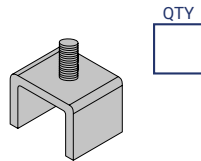
Wall Mount End Stop

Flange Up - P/N: WMESU-K33
Flange Down - P/N: WMESD-K32



Set Screw

All Set Screws are in one package



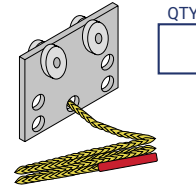
Adjustable End Stop

P/N: ESA-K31A



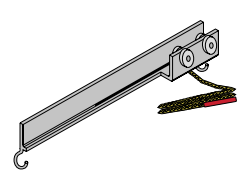
Roller

Nylon - P/N: NY-K42
Steel - P/N: SR-K44



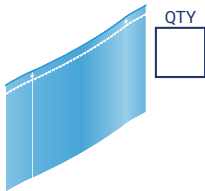
Pull Trolley Steel Rollers

4ft Rope - P/N: PRT-K80
10ft Rope - P/N: PRT-K

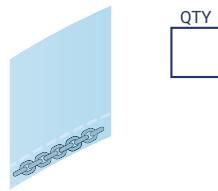


Overlap Trolley Steel Rollers

4ft Rope - P/N: OLT-K70
10ft Rope - P/N: OLT-10

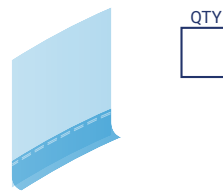


Curtains with Grommets



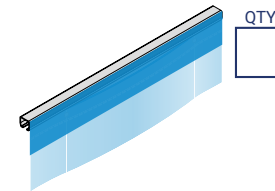
Chain Weighted Bottom

Sewn into hem



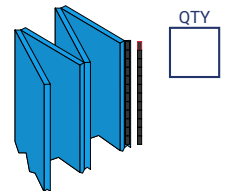
Floor Sweep

Attached to curtain



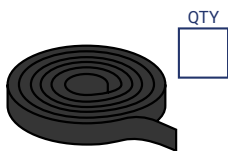
Valance

Attached to track



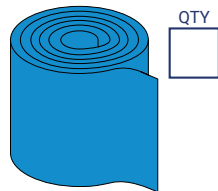
Edge Sealing

Wall Attachment Strip (2"x4")
Thermal & Acoustic Only



Adhesive Velcro

Color - Black, White



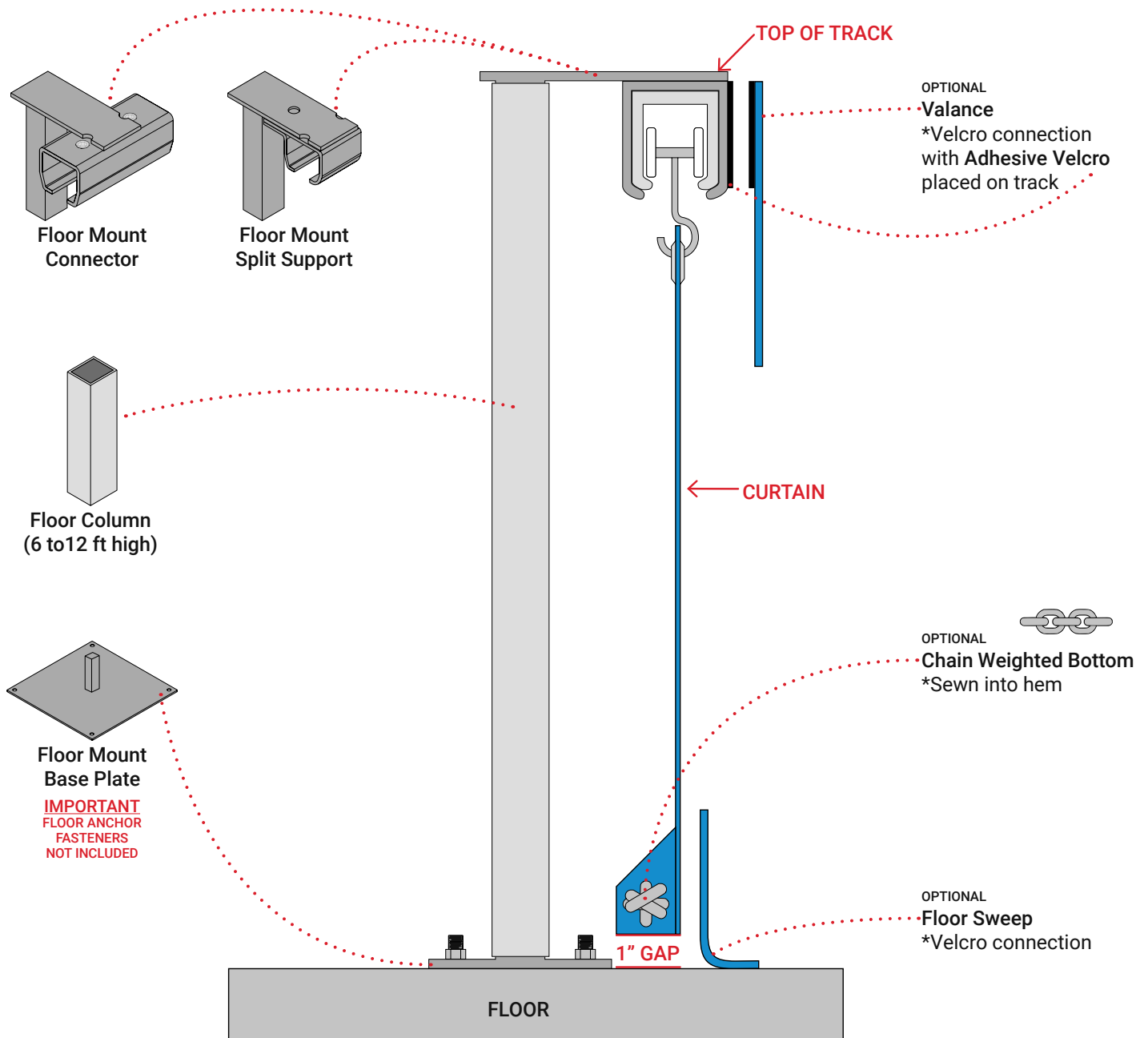
Vinyl Tape

Color - Royal Blue, Gray, Black, White

Step 2 - Measurement Check

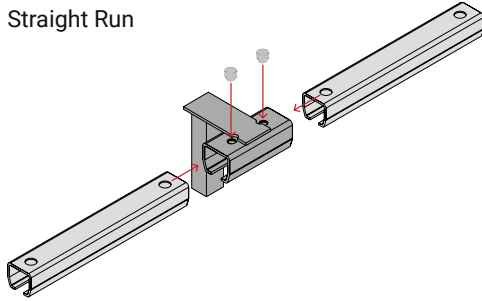
IMPORTANT NOTE: The TOP OF THE TRACK has to be mounted at _____ ft. _____ in. off the floor.

There will be a 1" gap between the bottom edge of the curtain and the floor. Floor sweeps are not included, please see below drawing. This dimension is also located atop your quotation. Make sure that the track is level, to ensure that the trolleys slide smoothly.



Step 3 - Determining where to use Connectors, Plain Connectors and Split Supports

Straight Run

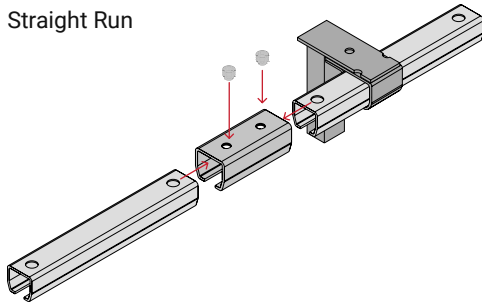


Floor Mount Connector

Connects two pieces of track together and provides a flange to support the connection from above.

Only used if there is existing structure above the connector to provide support.

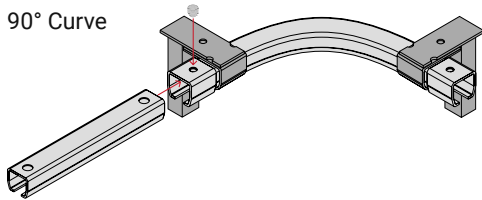
Straight Run



Plain Connector with Floor Mount Split Support

If there is no existing structure support available above the track connection, use a plain connector. Then, in order to support the track at 5' intervals, place a split support on the track. Split supports can be placed anywhere along the track except for directly on top of a plain connector.

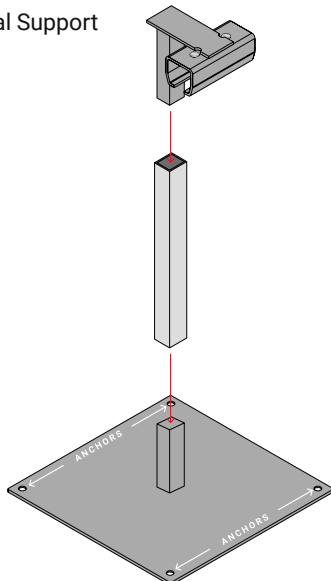
90° Curve



Floor Mount Split Support with 90° or 45° Track Curve

These have a plain connector welded onto each end. Place the split support next to said connector both ends of the curved track.

Vertical Support



Floor Mount Base Plate and Columns

IMPORTANT: AmCraft Manufacturing does not provide floor anchor fasteners. Make sure you have Base Plates and Columns supporting track every 5'

Step 4 - Placing Rollers & Trolleys

Important: The trolleys and the adjustable end stops need to be placed in the track before securing the end of the track to a wall.

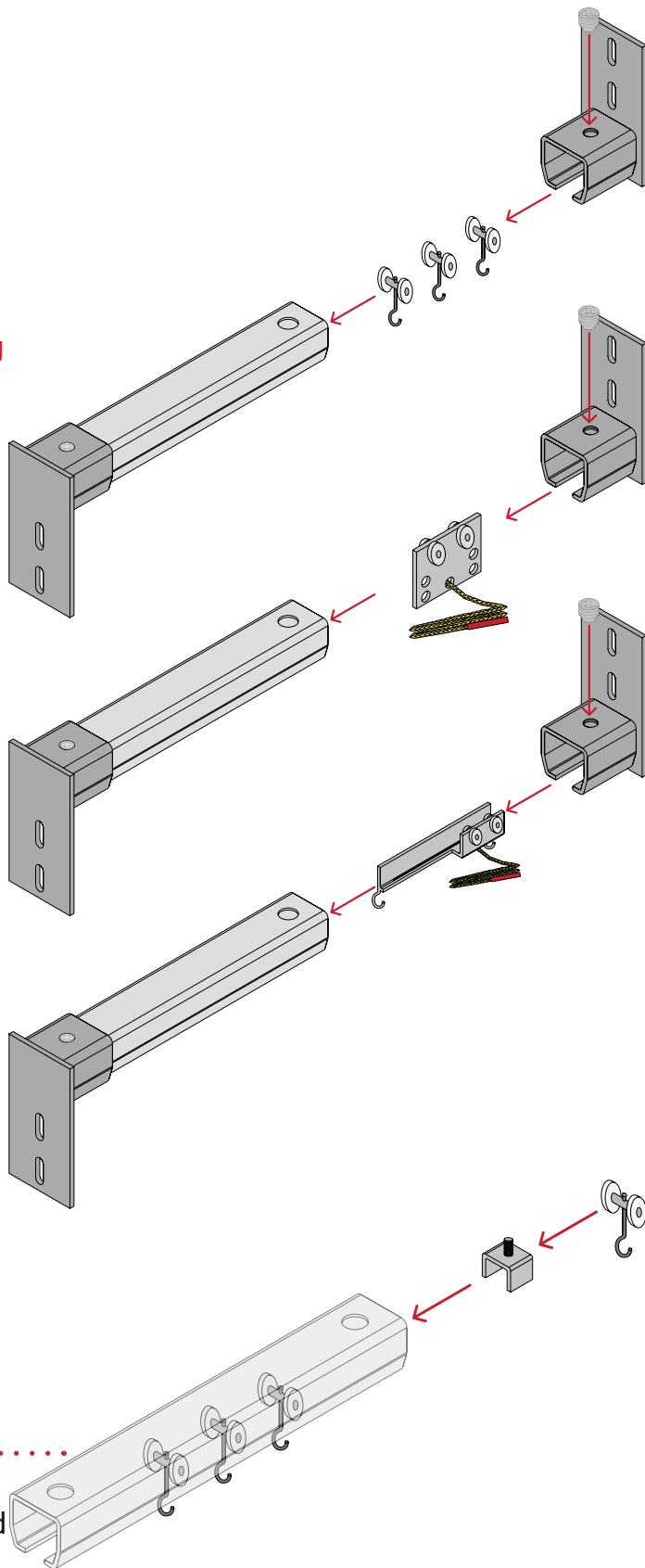
Each grommet on your curtain needs a Trolley. Please slide the amount of trolleys needed to hang your curtain into the track (be sure to consider special trolleys, as detailed below).

Sliding in the trolleys

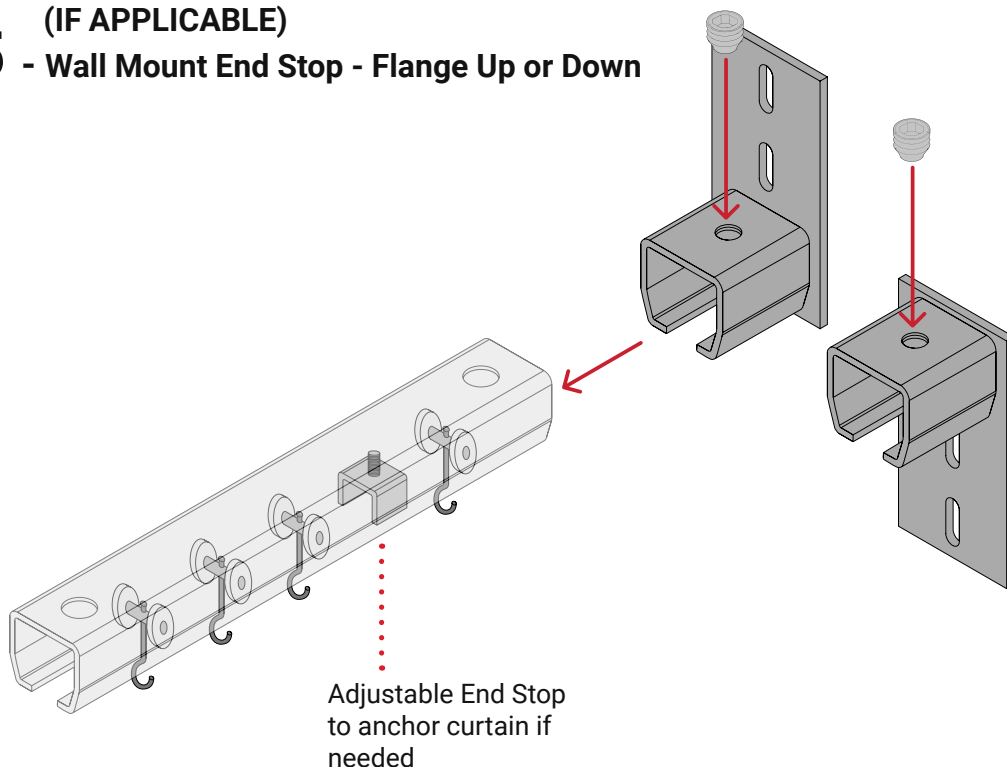
Sliding in a pull rope trolley (does not need a grommet). Will be to the curtain.

Sliding in an overlap trolley (used to allow 2 curtains to overlap where they meet). Needs 2 grommets on the same curtain (should be placed on the curtain that you want to bypass/overlap the other).

Sliding in an adjustable end stop (to anchor one end of the curtain, so that it does not move, place the adjustable end stop between the last and second-to-last trolleys)



Step 5 (IF APPLICABLE) - Wall Mount End Stop - Flange Up or Down



Step 6 - Hanging Curtain

Align and match curtain grommets with available trolley hooks.

