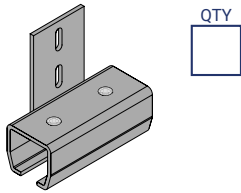


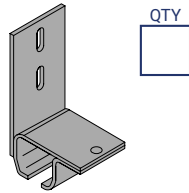
Step 1 - Item Quantity Check

Make sure you received all the parts you ordered by:

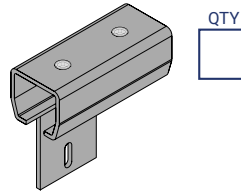
- Take the packing list on the side of one of the boxes off
- Compare packing list with the received parts
- If you need a visual matching of the part number please note page 2



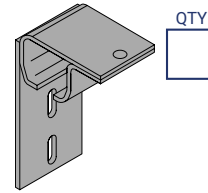
Wall Connector Flange Up
2x Set Screws included
P/N: CMC-K37



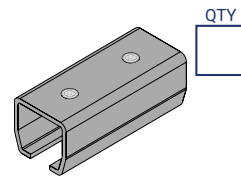
Wall Split Support Flange Up
P/N: CMS-K37-A
Includes 1 Locking Nut



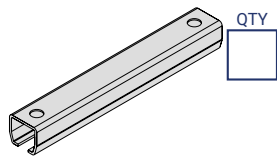
Wall Connector Flange Down
2x Set Screws included
P/N: CMA-K62



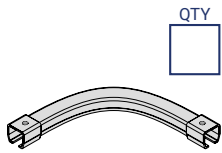
Wall Split Support Flange Down
3x Set Screws included
P/N: CMT-K63



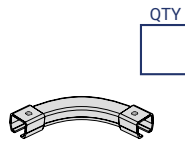
Plain Connector
P/N: PC-K38



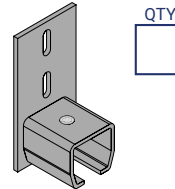
Straight Track



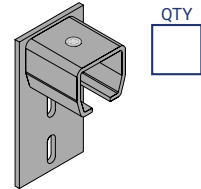
90° Curve Track
2x Set Screws included
P/N: 90P-K25



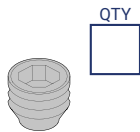
45° Curve Track
2x Set Screws included
P/N: 45P-K27



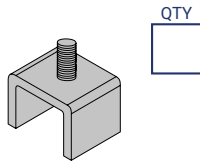
Wall Mount End Stop Flange Up
P/N: WMESU-K33



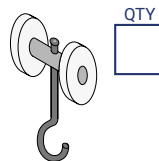
Wall Mount End Stop Flange Down
P/N: WMESD-K32



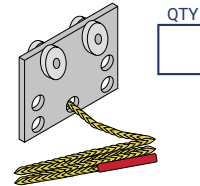
Set Screw
All Set Screws are in one package



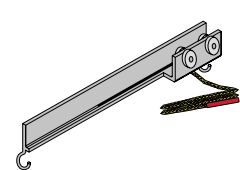
Adjustable End Stop
P/N: ESA-K31A



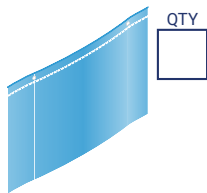
Roller
Nylon - P/N: NY-K42
Steel - P/N: SR-K44



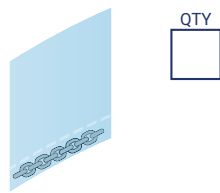
Pull Trolley Steel Rollers
4ft Rope - P/N: PRT-K80
10ft Rope - P/N: PRT-K



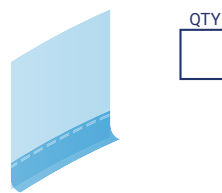
Overlap Trolley Steel Rollers
4ft Rope - P/N: OLT-K70
10ft Rope - P/N: OLT-10



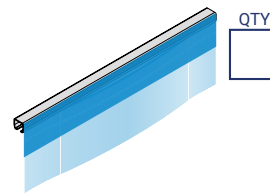
Curtains with Grommets



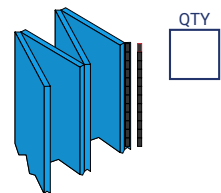
Chain Weighted Bottom
Sewn into hem



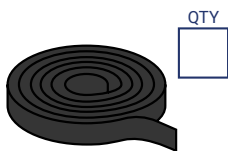
Floor Sweep
Attached to curtain



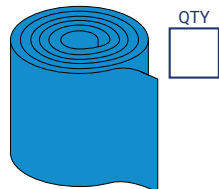
Valance
Attached to track



Edge Sealing
Wall Attachment Strip (2"x4")
Thermal & Acoustic Only



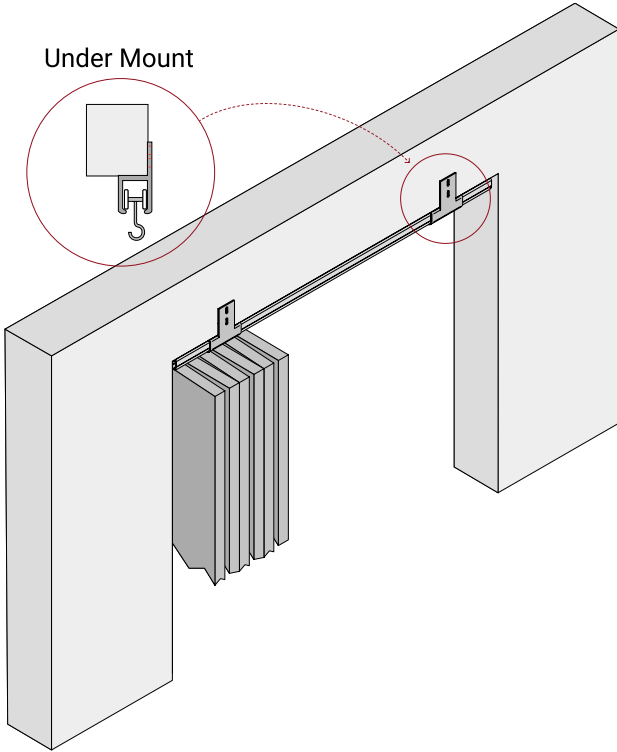
Adhesive Velcro
Color - Black, White



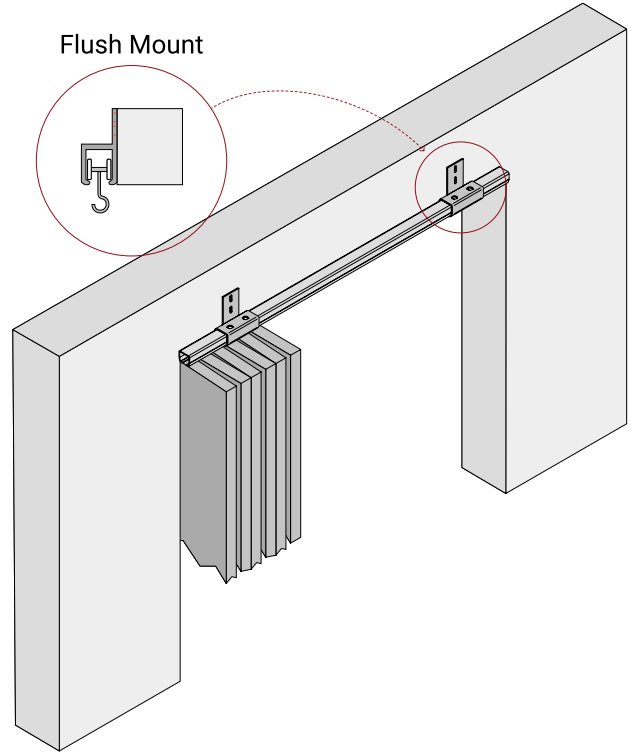
Vinyl Tape
Color - Royal Blue, Gray, Black, White

Step 2 - Determine Wall Mount Type

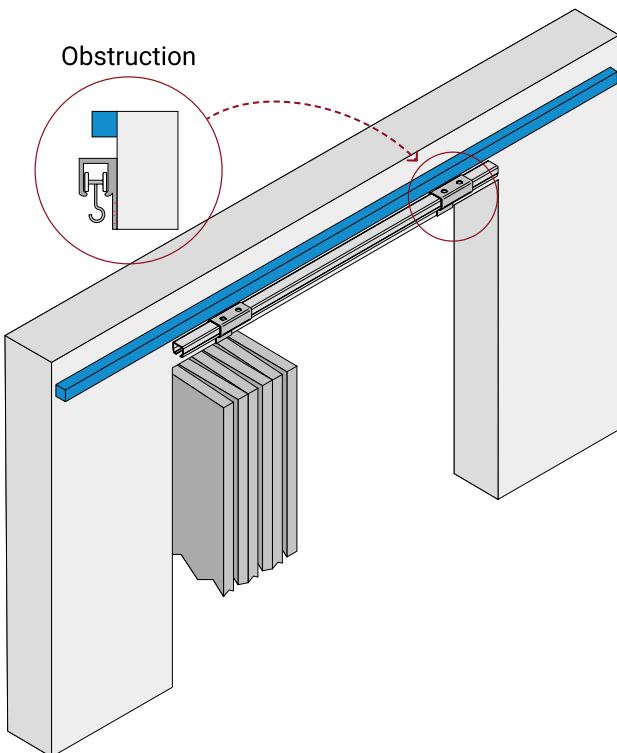
Under Mount



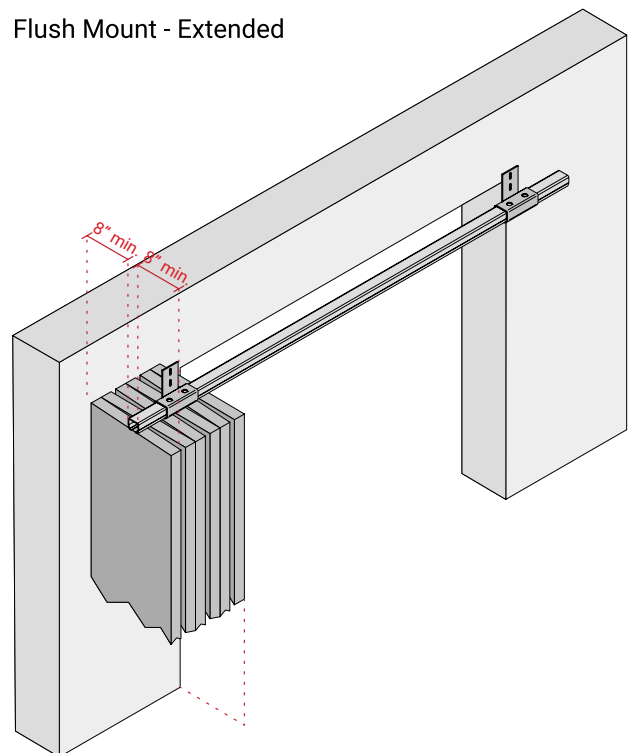
Flush Mount



Obstruction



Flush Mount - Extended

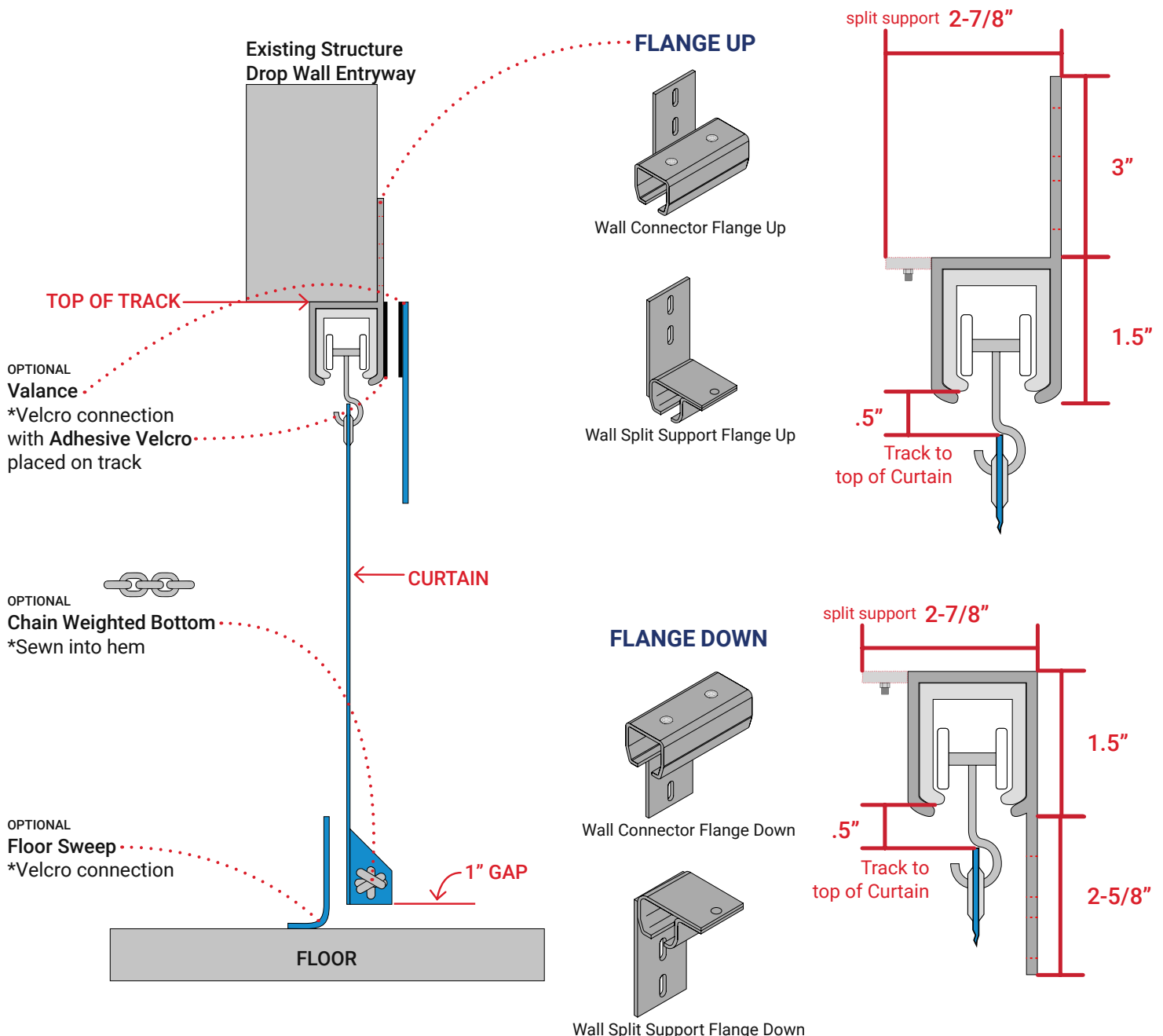


Step 3 - Measurement Check

IMPORTANT NOTE: The TOP OF THE TRACK has to be mounted at _____ ft. _____ in. off the floor.

There will be a 1" gap between the bottom edge of the curtain and the floor. Floor sweeps are not included, please see below drawing. This dimension is also located atop your quotation. Make sure that the track is level, to ensure that the trolleys slide smoothly.

INSTALLATION INSTRUCTIONS

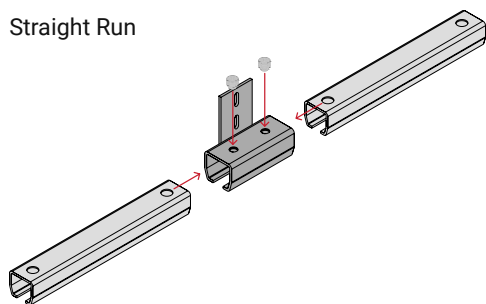




Step 4 - Determining where to use Connectors, Plain Connectors and Split Supports

PLEASE NOTE: AmCraft Manufacturing does not provide wall anchor fasteners

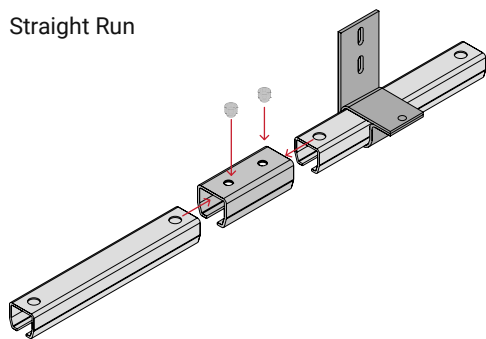
Straight Run



Wall Connector

Connects two pieces of track together and supports the track as well. Every 5' support is recommended.

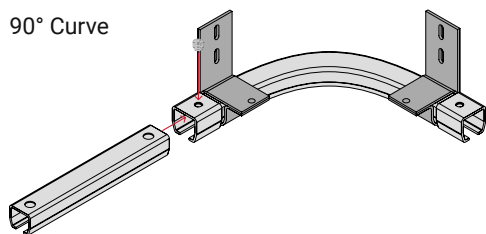
Straight Run



Plain Connector with Wall Split Support

Using a plain connector with a split support. Please use a support every 5'. Split supports can be placed anywhere along the track except for directly on top of a plain connector.

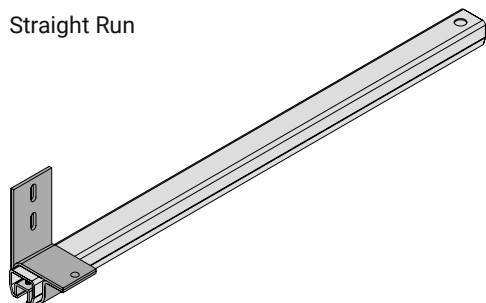
90° Curve



Wall Split Support with 90° or 45° Track Curve

These have a plain connector welded onto each end. Place the split support next to said connector both ends of the curved track.

Straight Run



Wall Split Support

Used to support the end of a track run if the track is not run all the way to a wall. Also, used as mentioned above.

Step 5 - Placing Rollers & Trolleys

Important: The trolleys and the adjustable end stops need to be placed in the track before securing the end of the track to a wall.

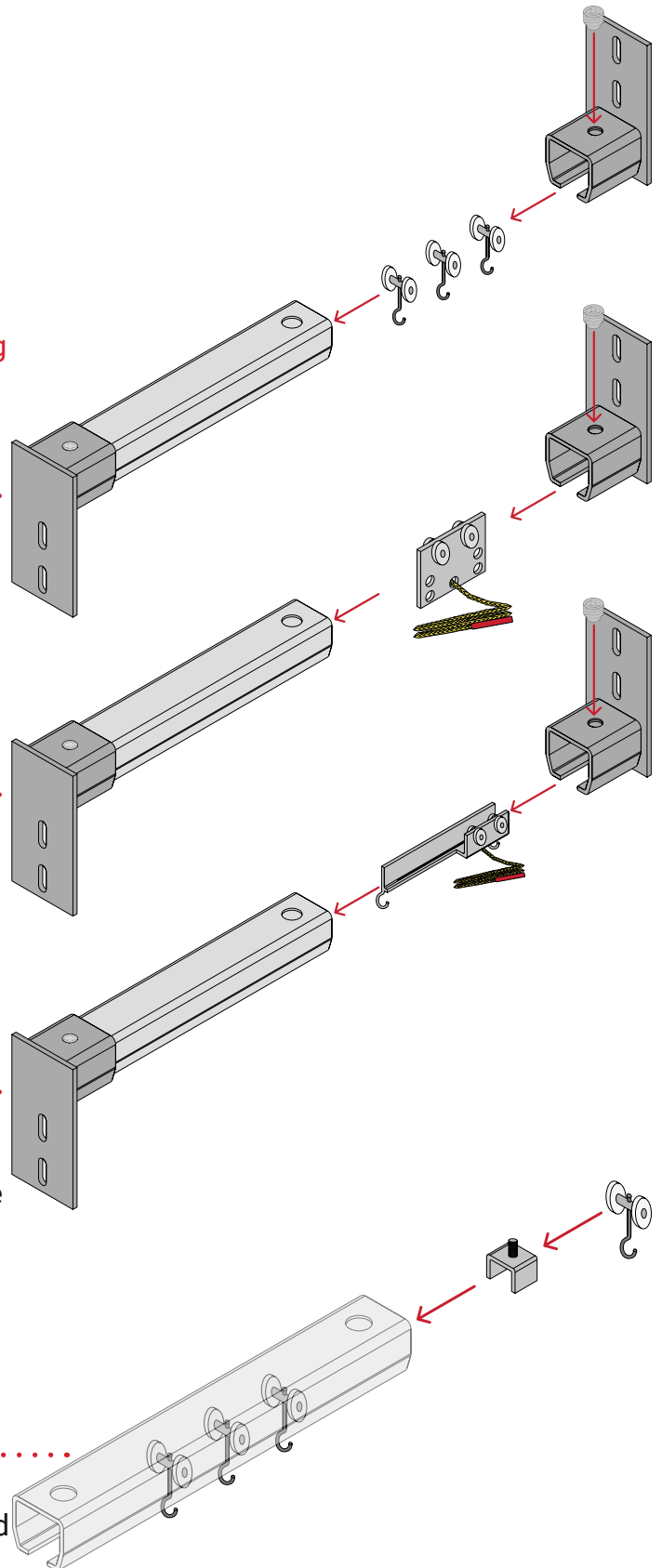
Each grommet on your curtain needs a Trolley. Please slide the amount of trolleys needed to hang your curtain into the track (be sure to consider special trolleys, as detailed below).

Sliding in the trolleys

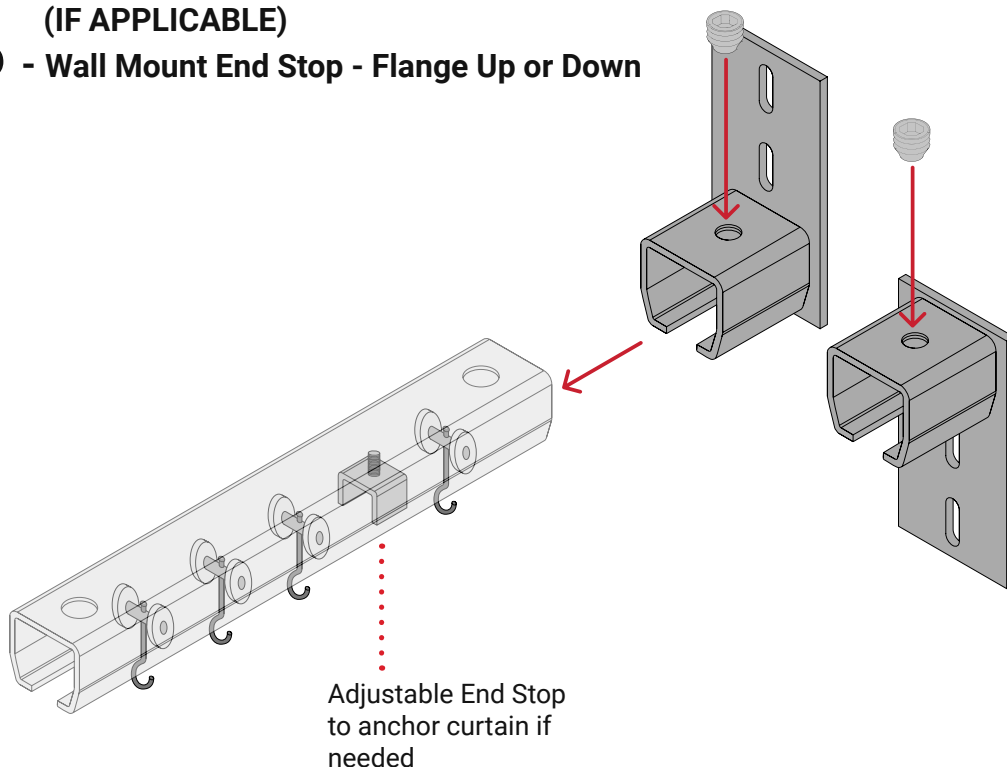
Sliding in a pull rope trolley (does not need a grommet). Will be to the curtain.

Sliding in an overlap trolley (used to allow 2 curtains to overlap where they meet). Needs 2 grommets on the same curtain (should be placed on the curtain that you want to bypass/overlap the other).

Sliding in an adjustable end stop (to anchor one end of the curtain, so that it does not move, place the adjustable end stop between the last and second-to-last trolleys)



Step 6 (IF APPLICABLE) - Wall Mount End Stop - Flange Up or Down



Step 7 - Hanging Curtain

Align and match curtain grommets with available trolley hooks.

