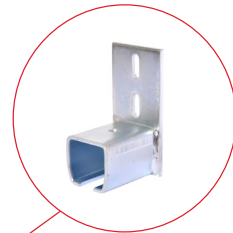




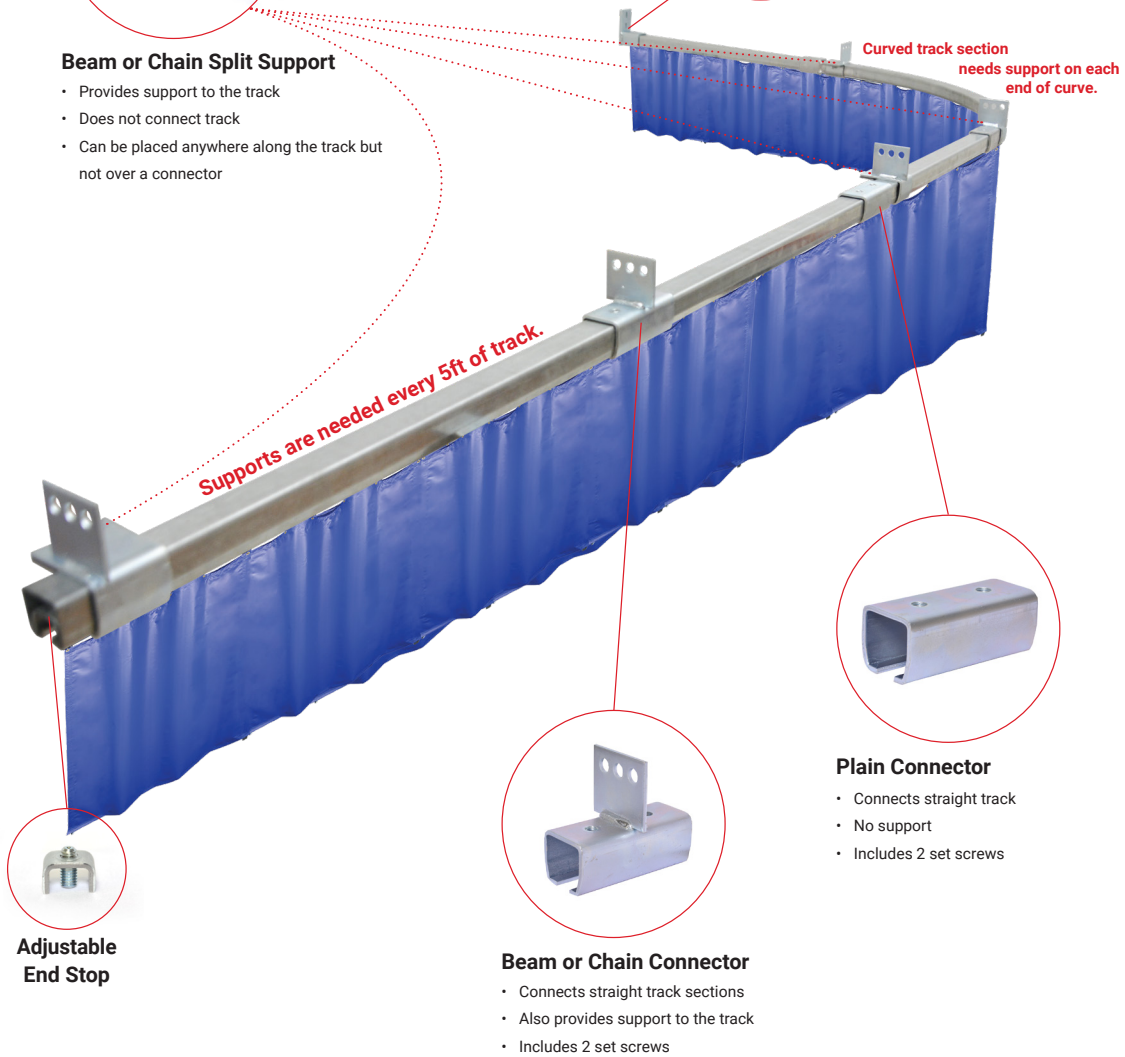
Beam or Chain Split Support

- Provides support to the track
- Does not connect track
- Can be placed anywhere along the track but not over a connector



Wall Mount End Stop

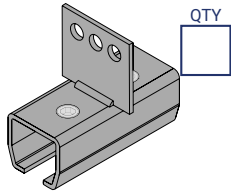
- Flange Up or Down available
- Includes 1 set screw



Step 1 - Item Quantity Check

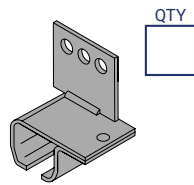
Make sure you received all the parts you ordered by:

- Take the packing list on the side of one of the boxes off
- Compare packing list with the received parts
- If you need a visual matching of the part number please note page 2



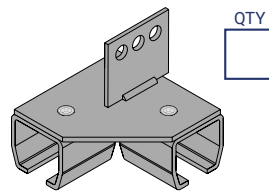
Beam Chain Connector

2x Set Screws included
P/N: BCC-K36



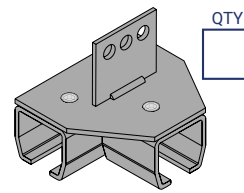
Beam Chain Split Support

P/N: BCS-K36A



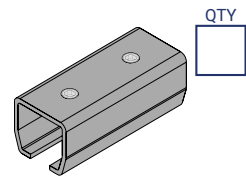
Beam Chain Corner Connector

2x Set Screws included
P/N: BCA-K61



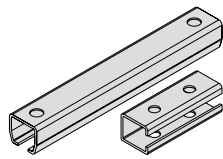
Beam Chain T-Connector

3x Set Screws included
P/N: BCT-K65



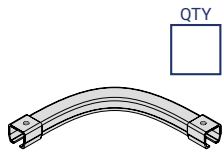
Plain Connector

P/N: PC-K38



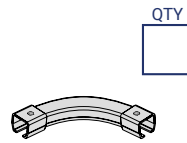
Straight Hardware

QTY Track -
QTY Unistrut -



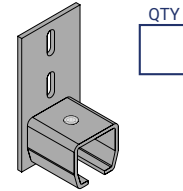
90° Curve Track

2x Set Screws included
P/N: 90P-K25



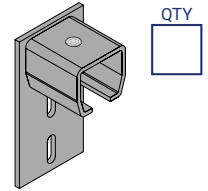
45° Curve Track

2x Set Screws included
P/N: 45P-K27



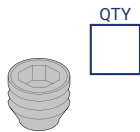
Wall Mount End Stop Flange Up

P/N: WMESU-K33



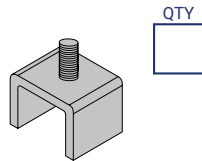
Wall Mount End Stop Flange Down

P/N: WMESD-K32



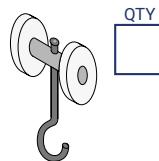
Set Screw

All Set Screws are in one package



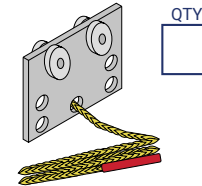
Adjustable End Stop

P/N: ESA-K31A



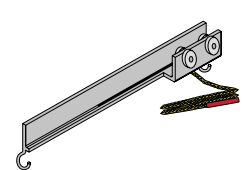
Roller

Nylon - P/N: NY-K42
Steel - P/N: SR-K44



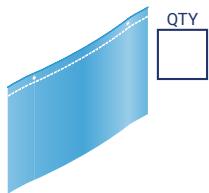
Pull Trolley Steel Rollers

4ft Rope - P/N: PRT-K80
10ft Rope - P/N: PRT-K

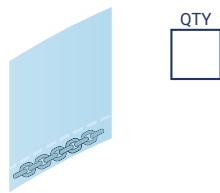


Overlap Trolley Steel Rollers

4ft Rope - P/N: OLT-K70
10ft Rope - P/N: OLT-10

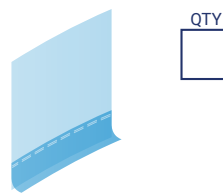


Curtains with Grommets



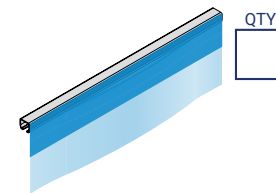
Chain Weighted Bottom

Sewn into hem



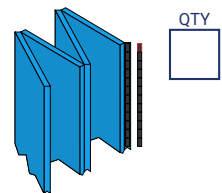
Floor Sweep

Attached to curtain



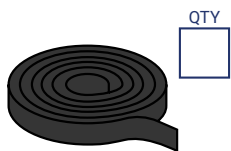
Valance

Attached to track



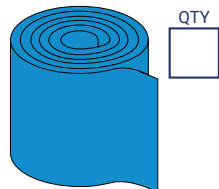
Edge Sealing

Wall Attachment Strip (2"x4")
Thermal & Acoustic Only



Adhesive Velcro

Color - Black, White



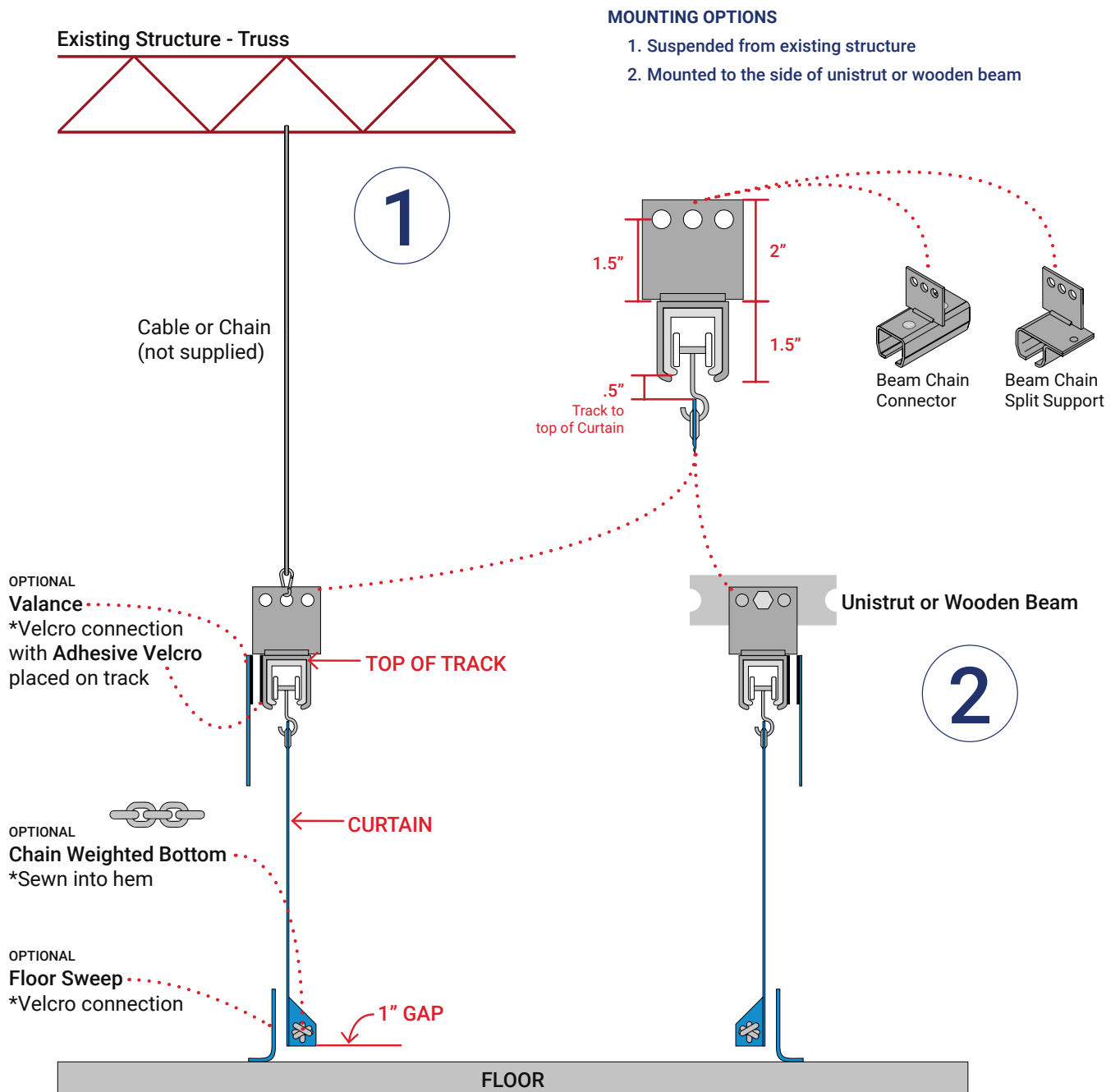
Vinyl Tape

Color - Royal Blue, Gray,
Black, White

Step 2 - Measurement Check

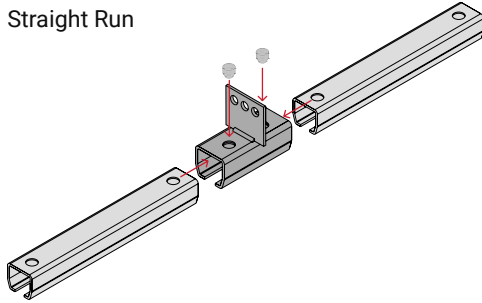
IMPORTANT NOTE: The TOP OF THE TRACK has to be mounted at _____ ft. _____ in. off the floor.

There will be a 1" gap between the bottom edge of the curtain and the floor. Floor sweeps are not included, please see below drawing. This dimension is also located atop your quotation. Make sure that the track is level, to ensure that the trolleys slide smoothly.



Step 3 - Determining where to use Connectors, Plain Connectors and Split Supports

Straight Run

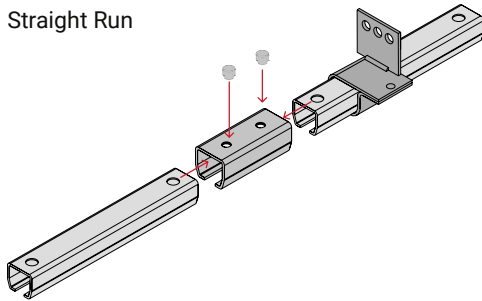


Chain Beam Connector

Connects two pieces of track together and provides a flange to support the connection from above.

Only used if there is existing structure above the connector to provide support.

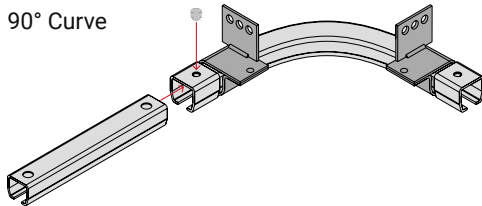
Straight Run



Plain Connector with Chain Beam Split Support

If there is no existing structure support available above the track connection, use a plain connector. Then, in order to support the track at 5' intervals, place a split support on the track. Split supports can be placed anywhere along the track except for directly on top of a plain connector.

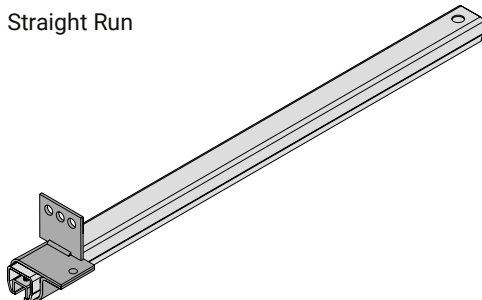
90° Curve



Chain Beam Split Support with 90° or 45° Track Curve

These have a plain connector welded onto each end. Place the split support next to said connector both ends of the curved track.

Straight Run



Chain Beam Split Support

Used to support the end of a track run if the track is not run all the way to a wall.

Also, used as mentioned above.

Step 4 - Placing Rollers & Trolleys

Important: The trolleys and the adjustable end stops need to be placed in the track before securing the end of the track to a wall.

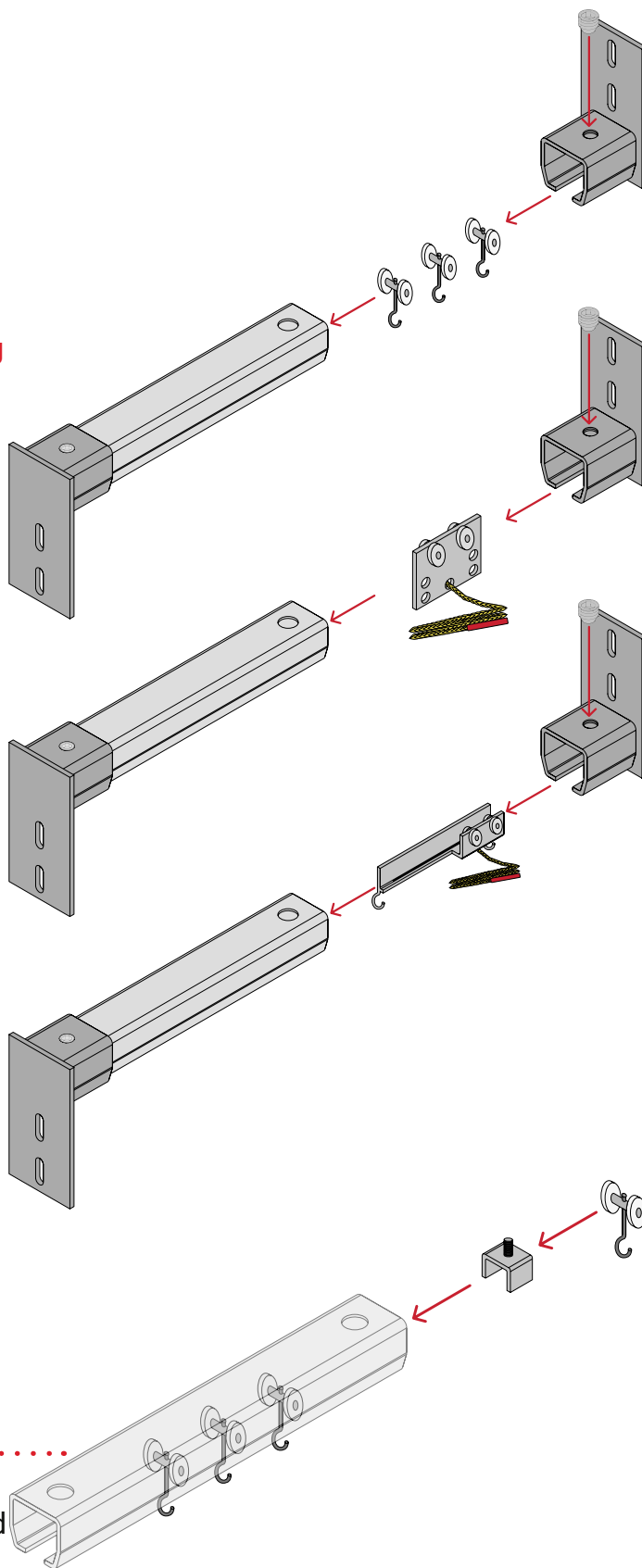
Each grommet on your curtain needs a Trolley. Please slide the amount of trolleys needed to hang your curtain into the track (be sure to consider special trolleys, as detailed below).

Sliding in the trolleys

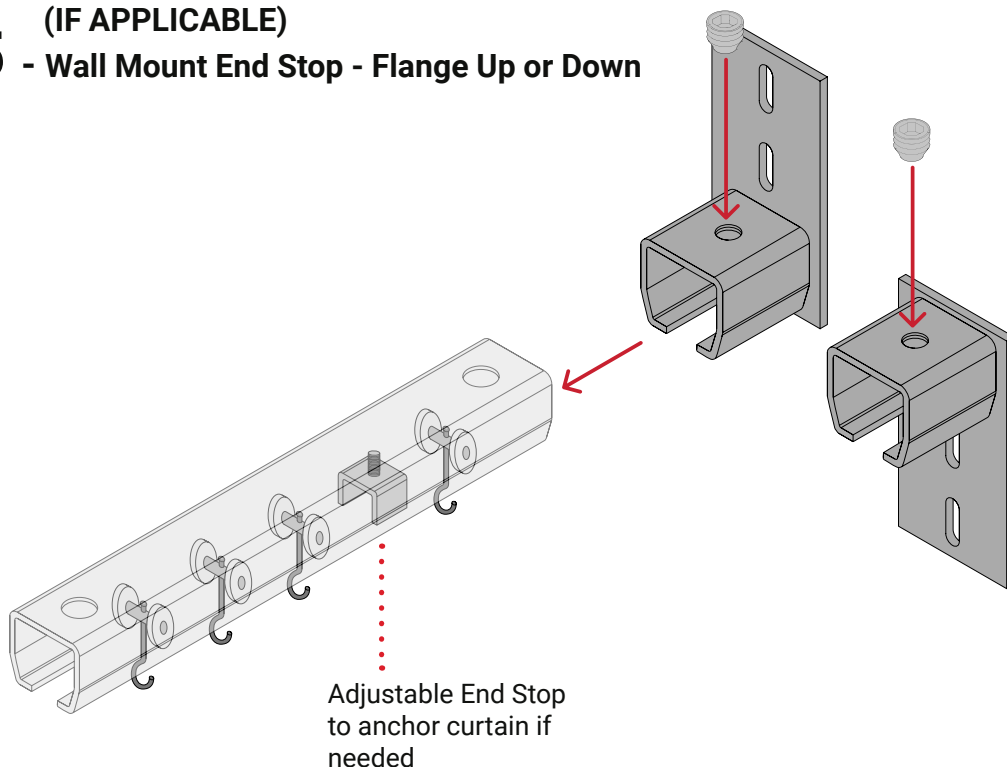
Sliding in a pull rope trolley (does not need a grommet). Will be to the curtain.

Sliding in an overlap trolley (used to allow 2 curtains to overlap where they meet). Needs 2 grommets on the same curtain (should be placed on the curtain that you want to bypass/overlap the other).

Sliding in an adjustable end stop (to anchor one end of the curtain, so that it does not move, place the adjustable end stop between the last and second-to-last trolleys)



Step 5 (IF APPLICABLE) - Wall Mount End Stop - Flange Up or Down



Step 6 - Hanging Curtain

Align and match curtain grommets with available trolley hooks.

