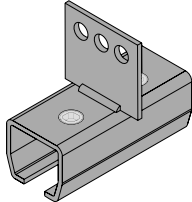
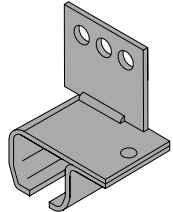
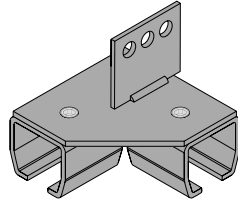
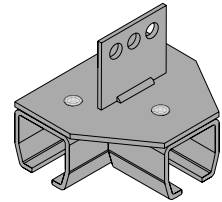
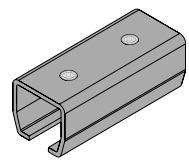

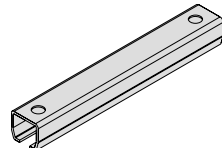
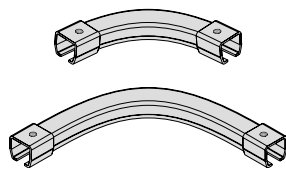
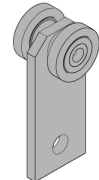
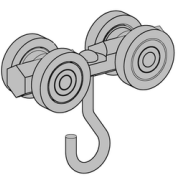
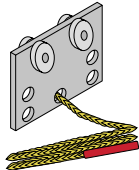


Please find below on the first page a list of components you would use to mount a beam/chain track system. If you are using additionally to the beam/chain track system another track system which needs supporting hardware, please find the supporting hardware on the last two pages.

Beam/Chain Connector	Beam/Chain Split Support	Beam/Chain Corner Connector	Beam/Chain T-Connector	Plain Connector
				
2x set screws included P/N: BCC-K36	P/N: BCS-K36A	2x set screws included P/N: BCA-K61	3x set screws included P/N: BCT-K65	P/N: PC-K38
Qty.:	Qty.:	Qty.:	Qty.:	Qty.:
Set Screw	Straight Track	Curved Track	Roller	Steel Roller With Plate
				
All set screws come in one package	TR-K10 for 2' TR-K11 for 4' TR-K12 for 5'	TR-K13 for 6' TR-K14 for 7' TR-K15 for 8'	45° - P/N: 45P-K27 90° - P/N: 90P-K25 2x set screws included	Nylon - P/N: NY-K42 Steel - P/N: SR-K44 P/N: SR-P
Qty.:	Qty.:	Qty.:	Qty.:	Qty.:
4 Wheel Trolley w/ Steel Rollers	Wall Mount End Stop	Adjustable End Stop	Pull Rope Trolley w/ Steel Rollers	Overlap Trolley w/ Steel Rollers
				
P/N: SR4W-1	Flange Up P/N: WMESU-K33 Flange Down P/N: WMESD-K32	P/N: ESA-K31A	4ft Rope - P/N: PRT-K80 10ft Rope - P/N: PRT-K10	4ft Rope - P/N: OLT-K70 10ft Rope - P/N: OLT-10
Qty.:	Qty.:	Qty.:	Qty.:	Qty.:

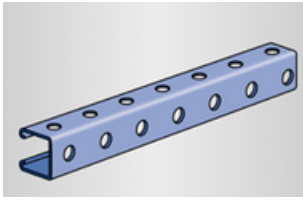
1" Threaded Rod Clamp



P/N: THRCL

Quantity: _____

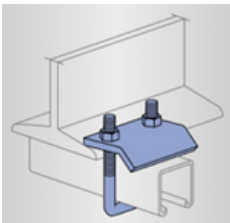
Unistrut holes on 3 sides



P/N: S-10003-length
Available 2' to 10'
9/16" dia.holes
1.7/8" on center

Quantity: _____

U-Bolt



P/N: S2785
incl. 2 nuts

Quantity: _____

**3/8" - 16 Threaded Rod
Incl. 3 ea. Nuts**



P/N: THR Length
Available in 2', 3', 4', 6'

Quantity: _____

**Threaded Rod
Side Plate**



P/N: STHRMP

Quantity: _____

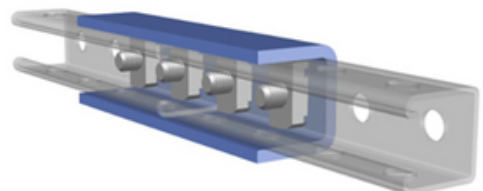
11/16" Swivel Clamp



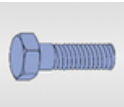
P/N: SLTHRCL

Quantity: _____

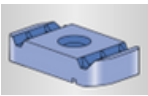
Unistrut connector



4 X



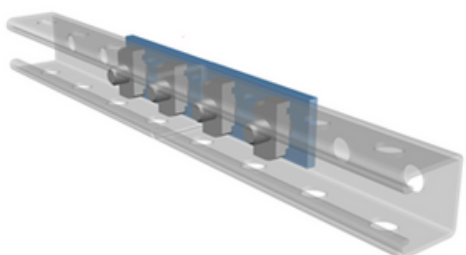
4 X



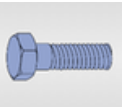
P/N: S1377 EG Includes : 4 each Bolt 1/2" - 13, 1.25" long
4 each threaded nuts

Quantity: _____

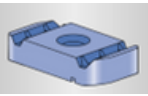
Unistrut connecting plate



4 X



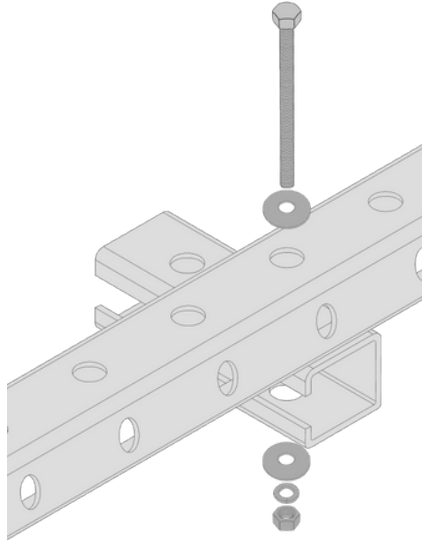
4 X



P/N: S-1067 EG Includes : 4 each Bolt 1/2" - 13, 1.25" long
4 each threaded nuts

Quantity: _____

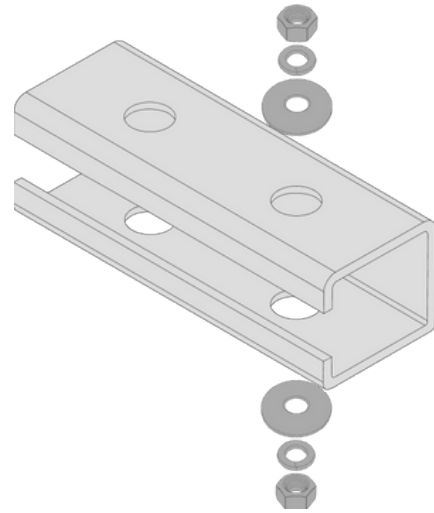
**Strut to strut connection
Hardware package**



P/N: S2S Includes: 1 each Bolt 3/8" - 16, 4" long
2 each washers
1 each lock washer
1 each nut 3/8" - 16

Quantity: _____

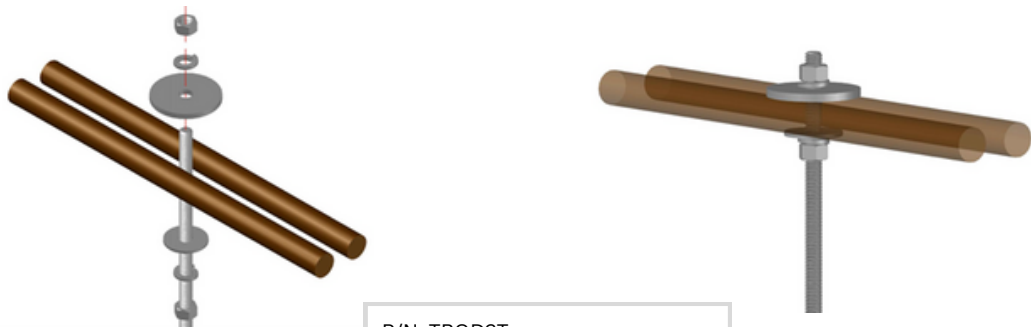
**Strut connection to Threaded Rod
Hardware package**



P/N: TROD2S Includes: 1 each washer
1 each lock washer
1 each nut 3/8" - 16

Quantity: _____

Threaded Rod to Truss



P/N: TROD2T
Includes: 1 each big flange washer
1 each regular washer
2 each lock washers
2 each 3/4" - 16 nuts

Quantity: _____