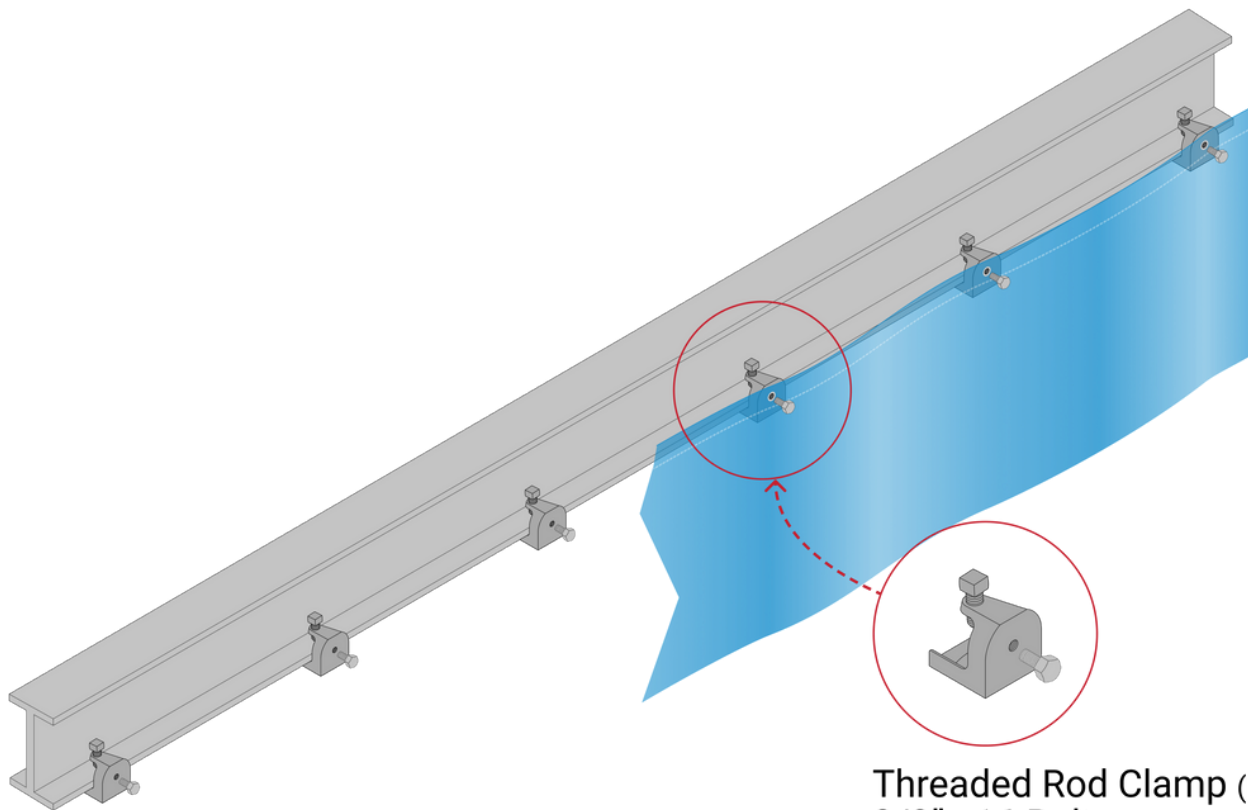


## Parallel Direct

This method is to be used when a **stationary** curtain is running **parallel** to the existing ceiling structure. Using this method allows for the curtain to be attached directly to the I-Beam or truss along the run.



Threaded Rod Clamp (P/N THRCL)  
3/8" - 16 Bolt (P/N BLT)

### STEP 1 - Make sure you received all the parts you ordered

- Compare the parts that you received with the packing list.
- To visually identify the parts listed on your packing list, please consult the components list found in these installation instructions spanning the last three pages.

## Parallel Direct to Existing Structure

### STEP 2 - Threaded rod clamp placement

Place the threaded rod clamps (THRCL) along the truss or I-beam 12" on center, tighten each clamp hand tight.

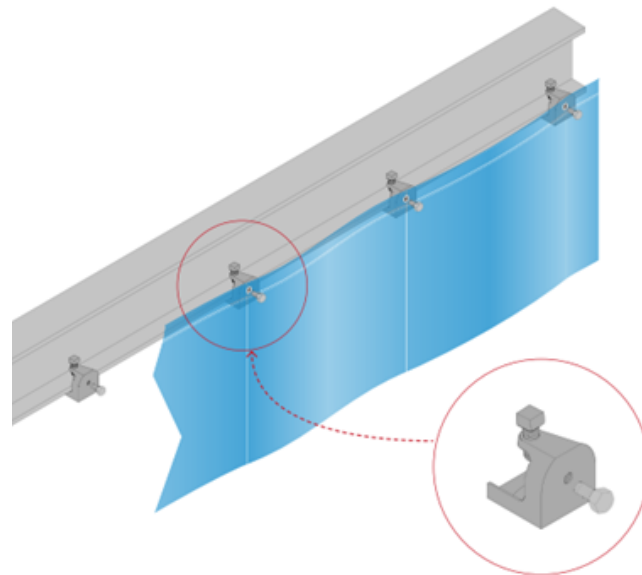


### STEP 3 – Hanging the Curtain

Beginning at one side, place the bolt (BLT) through the grommet in the top of the curtain. Thread the bolt into the threaded front hole of the threaded rod clamp you placed on to the beam.

Tighten the bolt into the clamp, then fully tighten the clamp into place on the truss or I-beam.

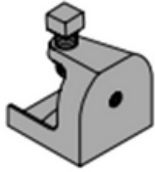
Repeat this for each grommet along the curtain run, moving the threaded rod clamps as required to keep the curtain run taught.



Threaded Rod Clamp (P/N THRCL)  
3/8" - 16 Bolt (P/N BLT)

**STEP 4 - Important:** Secure all hardware connections by tightening all the nuts and bolts. **This ensures a safe installation.**

**1" Threaded Rod Clamp**



P/N: THRCL

Quantity: \_\_\_\_\_

**Side Bolt 3/8" - 16,  
3/4" long**



P/N: BLT

Quantity: \_\_\_\_\_

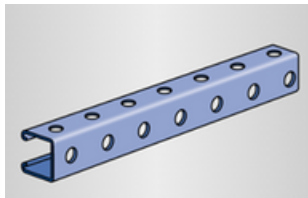
**1/2" Beam Clamp**



P/N: BC-6H375

Quantity: \_\_\_\_\_

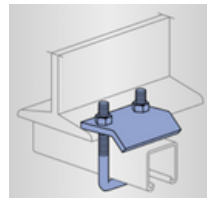
**Unistrut holes on 3 sides**



P/N: S-10003-length  
Available 2' to 10'  
9/16" dia.holes  
1.7/8" on center

Quantity: \_\_\_\_\_

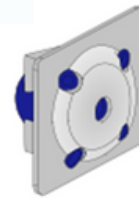
**U-Bolt**



P/N: S2785  
incl. 2 nuts

Quantity: \_\_\_\_\_

**Quick Washer  
1/4" x - 20 thread hole**



P/N: QW-1062 EG

Quantity: \_\_\_\_\_

**Side Bolt 1/4" - 20,  
1.25" long**



P/N: QS-92865

Quantity: \_\_\_\_\_

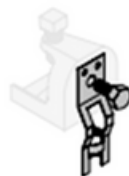
**3/8" - 16 Threaded Rod  
Incl. 3 ea. Nuts**



P/N: THR Length  
Available in 2', 3', 4', 6'

Quantity: \_\_\_\_\_

**Threaded Rod  
Side Plate**



P/N: STHRMP

Quantity: \_\_\_\_\_

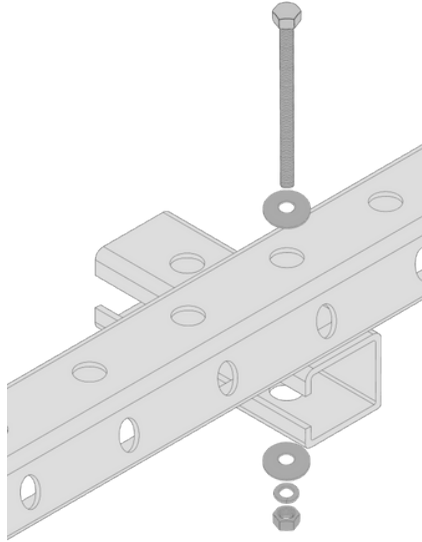
**11/16" Swivel Clamp**



P/N: SLTHRCL

Quantity: \_\_\_\_\_

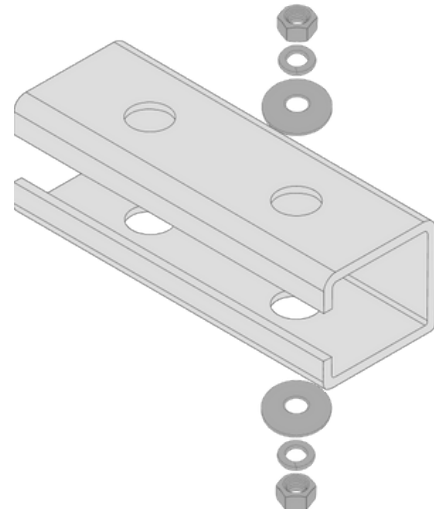
**Strut to strut connection  
Hardware package**



P/N: S2S Includes: 1 each Bolt 3/8" - 16, 4" long  
2 each washers  
1 each lock washer  
1 each nut 3/8" - 16

Quantity: \_\_\_\_\_

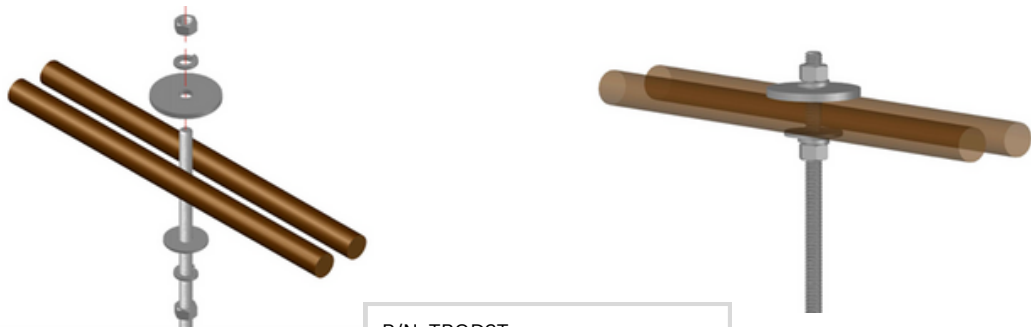
**Strut connection to Threaded Rod  
Hardware package**



P/N: TROD2S Includes: 1 each washer  
1 each lock washer  
1 each nut 3/8" - 16

Quantity: \_\_\_\_\_

**Threaded Rod to Truss**

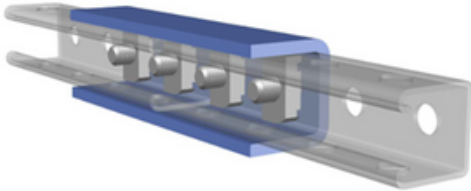


P/N: TROD2T  
Includes: 1 each big flange washer  
1 each regular washer  
2 each lock washers  
2 each 3/4" - 16 nuts

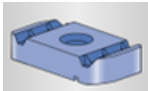
Quantity: \_\_\_\_\_

**Unistrut connector**

4 X



4 X

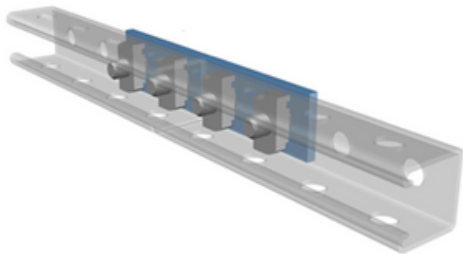


P/N: S1377 EG Includes : 4 each Bolt 1/2" - 13, 1.25" long  
4 each threaded nuts

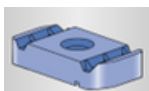
Quantity: \_\_\_\_\_

**Unistrut connecting plate**

4 X



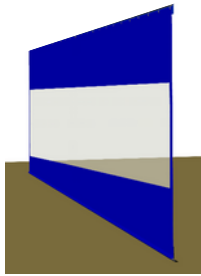
4 X



P/N: S-1067 EG Includes : 4 each Bolt 1/2" - 13, 1.25" long  
4 each threaded nuts


Quantity: \_\_\_\_\_

**Curtain/Panels**



Quantity: \_\_\_\_\_

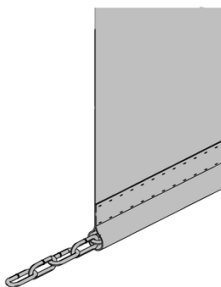
**Valance**



Velcro attaches to the side of the track

Quantity: \_\_\_\_\_


**Chain Weighted Bottom**



Sewn into the hem

Quantity: \_\_\_\_\_

**Floor Sweep**



Velcro attached to the bottom hem

Quantity: \_\_\_\_\_

**Wall Attachment Strip**



Wall attachment strip

Quantity: \_\_\_\_\_

**D-Ring**



D-Ring with Carabiner

Quantity: \_\_\_\_\_

**Adhesive Velcro**



Color - Black or White  
1" or 2" wide

Quantity: \_\_\_\_\_

**6" Wide Vinyl Tape**



Color - Royal Blue, Gray, Black, or White. Comes on a roll or 4' long strips

Quantity: \_\_\_\_\_