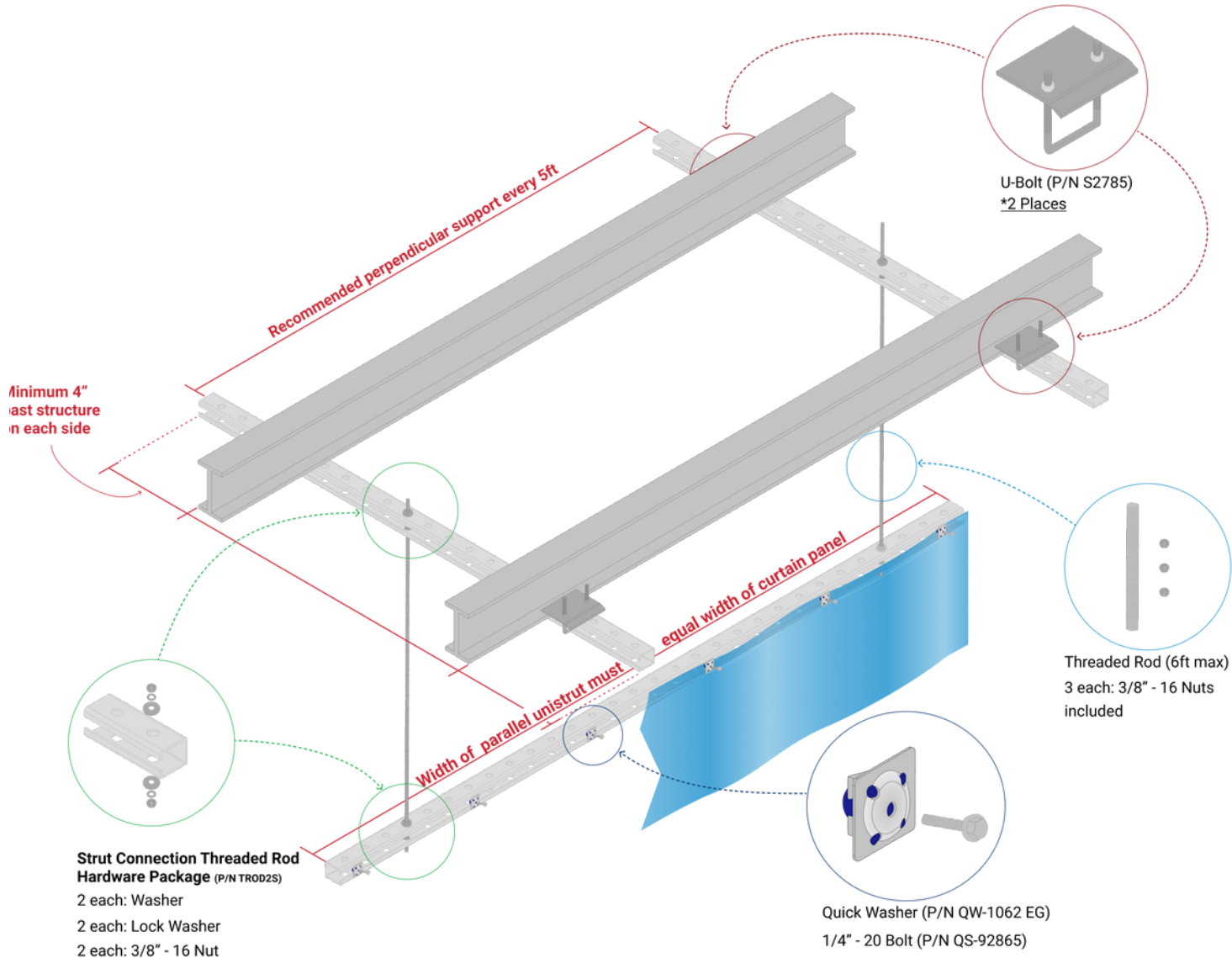


## Parallel Suspended Between

This mounting method is used when running a stationary curtain parallel to the ceiling structure between two parallel I-Beams or Trusses and suspended to avoid obstructions in the ceiling. The method mounts Unistrut across the parallel beams providing support to then suspend the curtain along the run parallel to the ceiling structure. This option can be used for **level** ceiling structures only.




### STEP 1 - Make sure you received all the parts you ordered

- Compare the parts that you received with the packing list.
- To visually identify the parts listed on your packing list, please consult the components list found in these installation instructions spanning the last three pages.

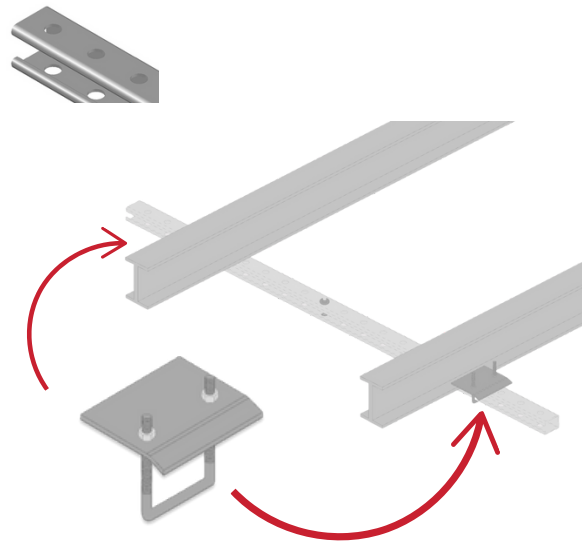
## Parallel Suspended between the existing structure

### STEP 2 - Mounting **perpendicular** Unistrut to the I-Beams/Trusses

Place a **perpendicular supporting** Unistrut (S-1000H3) **every 5 feet**.

The open side of the Unistrut **has** to face sideways, **not** up or down. 

Use **two** U-Bolt (S2785) to attach the **supporting** Unistrut sections to the beam or trusses.



The U-Bolt beam connectors (P/N: S2785) must be placed on the **outside** of the beam for stability. The Unistrut must have a 4" minimum overhang on each side of the I-Beams or Trusses. Space the remaining Unistrut 5' on center and attach to the structure using the same method as the first one.

### STEP 3 - A good time to check the height!

**Important:** The **top** of the Unistrut that **the curtain gets mounted to** **must** be installed at        **ft.**        **in.** off of the floor.

This dimension is also located atop your quotation. There will be a 1" gap between the bottom edge of the curtain and the floor. A floor sweep will cover the open space at the bottom of the curtain if it is included in your purchase.

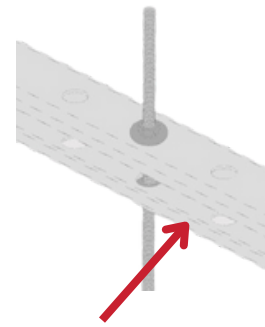
### STEP 4 - If necessary, cut the threaded rod to the **correct** length

Please ensure that the threaded rods are cut to the **necessary length**, taking into consideration the **correct** height of the Unistrut to which the curtains will be attached. Make sure the threaded rod is long enough to pass through the Unistrut, allowing for extra length to accommodate the bolt assembly. **If no cutting is required, please do not cut the threaded rod.**

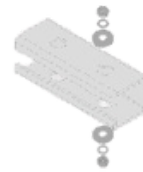
**Parallel Suspended between the existing structure**

**STEP 5 - Attaching the top end of the threaded rods to the perpendicular Unistrut with the hardware package P/N: TROD2S**

Thread one of the nuts about 3" onto the threaded rod, then slide the lock washer and a flat washer onto the threaded rod. Insert the threaded rod into the upper Unistrut to line up with where the curtain is to be hung. Place a flat washer and lock washer onto the rod sticking through the top of the Unistrut, then thread on the nut. Adjust the top and bottom nuts to set the proper height of the rod and then tighten. Continue this process on each perpendicular Unistrut.



Open Unistrut side faces side ways, not up or down.



**Threaded rod hardware package (P/N TROD2S)**  
2 each: 2/8" -16 Nut  
2 each: Lock washer  
2 each: Washer  
Please note: 2 packages are required per rod connection

**STEP 6 - Attach the parallel lower Unistrut run to the threaded rods bottom ends using the same hardware package P/N: TROD2S**

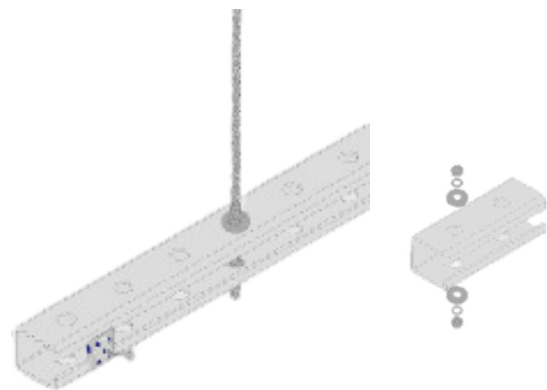
**Important strut position:** Make sure the open side of the strut is facing sideways, **not** up or down, and outward. This is the side the curtain will get attached to. The front side of the curtain always faces outward.



The open side of the Unistrut must face to the front side, this is the side the curtain will be hung to.

The assembled width of the Unistrut (S-1000H3) in the parallel run **must** be equal to the width of the curtain.

Starting at one side mount the Unistrut sections to the threaded rod. Thread a nut, a look washer and a flat washer about 3" up onto the threaded rod, then insert the rod through the Unistrut. Use the other set of flat washer, look washer and nut to tighten the connections. **At this point make sure the top of the Unistrut is at the correct height and leveled.** Continue this process for each Unistrut in the run. **If required,** cut the last Unistrut to size.



**Threaded rod hardware package (P/N TROD2S)**  
2 each: 2/8" -16 Nut  
2 each: Lock washer  
2 each: Washer  
Please note: 2 packages are required per rod connection

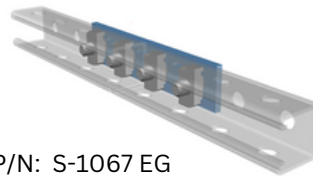
## Parallel Suspended between the existing structure

### STEP 7 - Connecting the the **parallel** Unistrut to each other.

The Unistrut sections can be connected either as soon as you have two Unistruts hung up, or in the end once all the Unistrut are hung. At each Unistrut joint use either a **straight plate connector (S-1067)** or a **Heavy duty Connector (S-1377 EG)**. Four bolts and washers are provided for each connection.

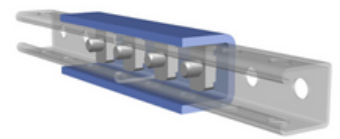
Depending on the overall weight of your curtain assembly, you will receive either the connector or the connecting plate.

Unistrut connecting plate



P/N: S-1067 EG

Unistrut connector

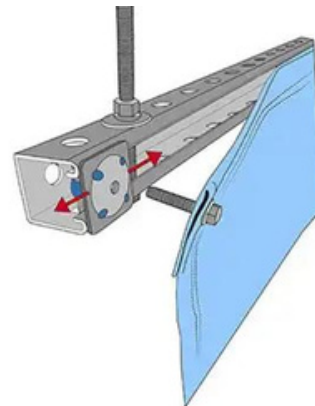


P/N: S1377 EG

### STEP 8 - Attach the curtain to the **parallel** Unistrut run

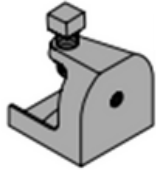
The curtain gets attached using **Quick Washers (QW-1062EG)** and a **Bolt (QS-92865)**. You have the option to load the Quick Washers into the channel from either the side or the front. Most customers prefer loading the quick washers from the front and twisting them 90° (as indicated by the arrows on the QW) to ensure stability. Once in this position, they can easily be moved sideways within the channel to align with the grommet positions on your curtain.

To begin, line a vertical edge of the curtain with one end of the Unistrut. **Make sure** the **front side** of the curtain faces the outside of the enclosure. Insert a bolt through the grommet on the top edge of the curtain and thread it into the Quick Washer. Repeat this step for each grommet along the top of the curtain.



### STEP 9 - **Important:** Secure all hardware connections by tightening all the nuts and bolts. **This ensures a safe installation.**

**1" Threaded Rod Clamp**



P/N: THRCL

Quantity: \_\_\_\_\_

**Side Bolt 3/8" - 16,  
3/4" long**



P/N: BLT

Quantity: \_\_\_\_\_

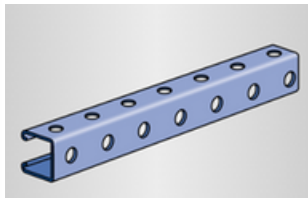
**1/2" Beam Clamp**



P/N: BC-6H375

Quantity: \_\_\_\_\_

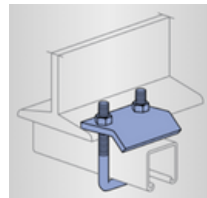
**Unistrut holes on 3 sides**



P/N: S-10003-length  
Available 2' to 10'  
9/16" dia.holes  
1.7/8" on center

Quantity: \_\_\_\_\_

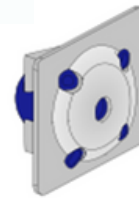
**U-Bolt**



P/N: S2785  
incl. 2 nuts

Quantity: \_\_\_\_\_

**Quick Washer  
1/4" x - 20 thread hole**



P/N: QW-1062 EG

Quantity: \_\_\_\_\_

**Side Bolt 1/4" - 20,  
1.25" long**



P/N: QS-92865

Quantity: \_\_\_\_\_

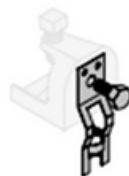
**3/8" - 16 Threaded Rod  
Incl. 3 ea. Nuts**



P/N: THR Length  
Available in 2', 3', 4', 6'

Quantity: \_\_\_\_\_

**Threaded Rod  
Side Plate**



P/N: STHRMP

Quantity: \_\_\_\_\_

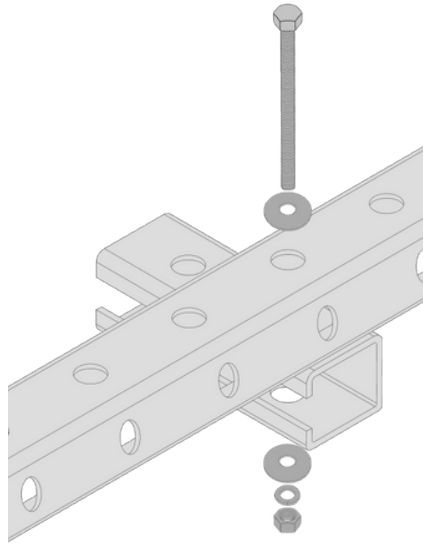
**11/16" Swivel Clamp**



P/N: SLTHRCL

Quantity: \_\_\_\_\_

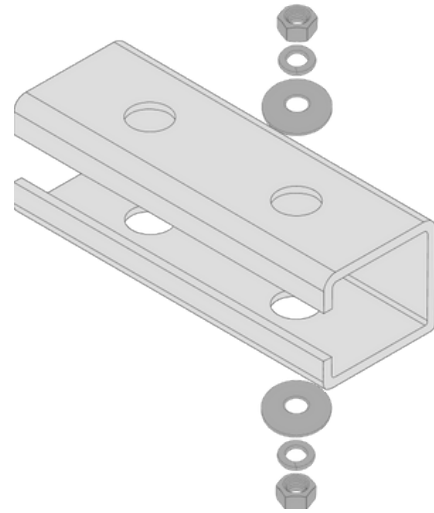
**Strut to strut connection  
Hardware package**



P/N: S2S Includes: 1 each Bolt 3/8" - 16, 4" long  
2 each washers  
1 each lock washer  
1 each nut 3/8" - 16

Quantity: \_\_\_\_\_

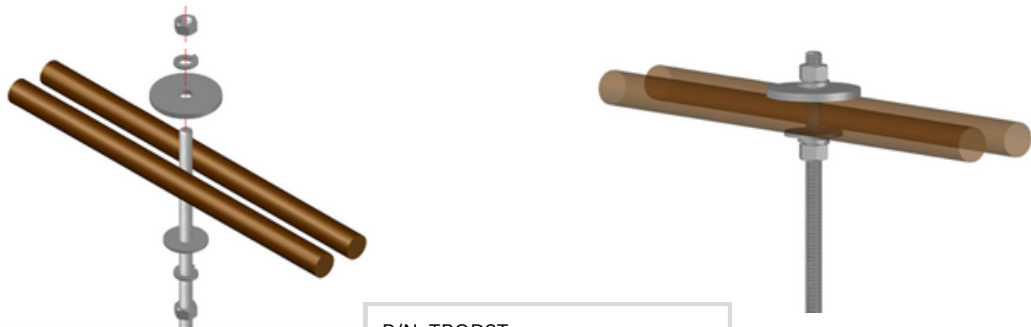
**Strut connection to Threaded Rod  
Hardware package**



P/N: TROD2S Includes: 1 each washer  
1 each lock washer  
1 each nut 3/8" - 16

Quantity: \_\_\_\_\_

**Threaded Rod to Truss**

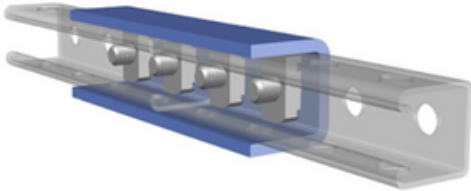


P/N: TROD2T  
Includes: 1 each big flange washer  
1 each regular washer  
2 each lock washers  
2 each 3/4" - 16 nuts

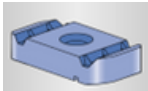
Quantity: \_\_\_\_\_

**Unistrut connector**

4 X



4 X

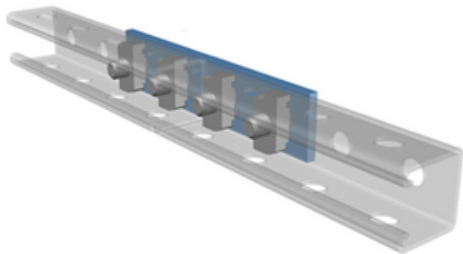


P/N: S1377 EG Includes : 4 each Bolt 1/2" - 13, 1.25" long  
4 each threaded nuts

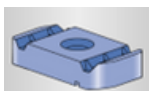
Quantity: \_\_\_\_\_

**Unistrut connecting plate**

4 X



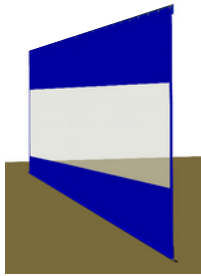
4 X



P/N: S-1067 EG Includes : 4 each Bolt 1/2" - 13, 1.25" long  
4 each threaded nuts


Quantity: \_\_\_\_\_

**Curtain/Panels**



Quantity: \_\_\_\_\_

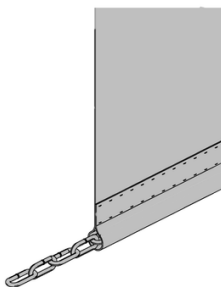
**Valance**



Velcro attaches to the side of the track

Quantity: \_\_\_\_\_


**Chain Weighted Bottom**



Sewn into the hem

Quantity: \_\_\_\_\_

**Floor Sweep**



Velcro attached to the bottom hem

Quantity: \_\_\_\_\_

**Wall Attachment Strip**



Wall attachment strip

Quantity: \_\_\_\_\_

**D-Ring**



D-Ring with Carabiner

Quantity: \_\_\_\_\_

**Adhesive Velcro**



Color - Black or White  
1" or 2" wide

Quantity: \_\_\_\_\_

**6" Wide Vinyl Tape**



Color - Royal Blue, Gray, Black, or White. Comes on a roll or 4' long strips

Quantity: \_\_\_\_\_