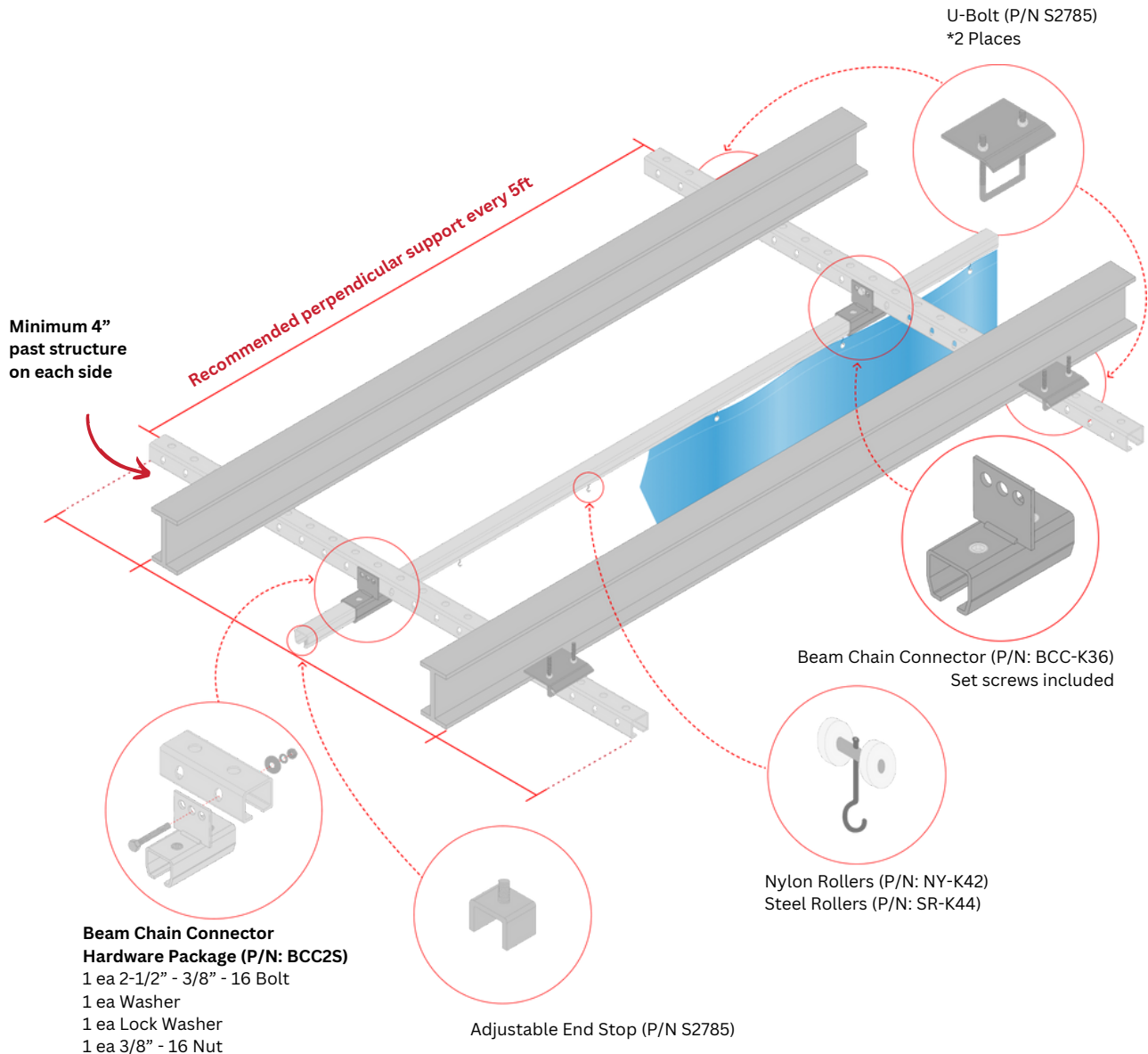


... to hang the track **Parallel Between** (not suspended)

This mounting method is to be used when the retractable curtain run is between two parallel I-Beams or trusses. This mounting method enables placement of the curtain between the two parallel structures.



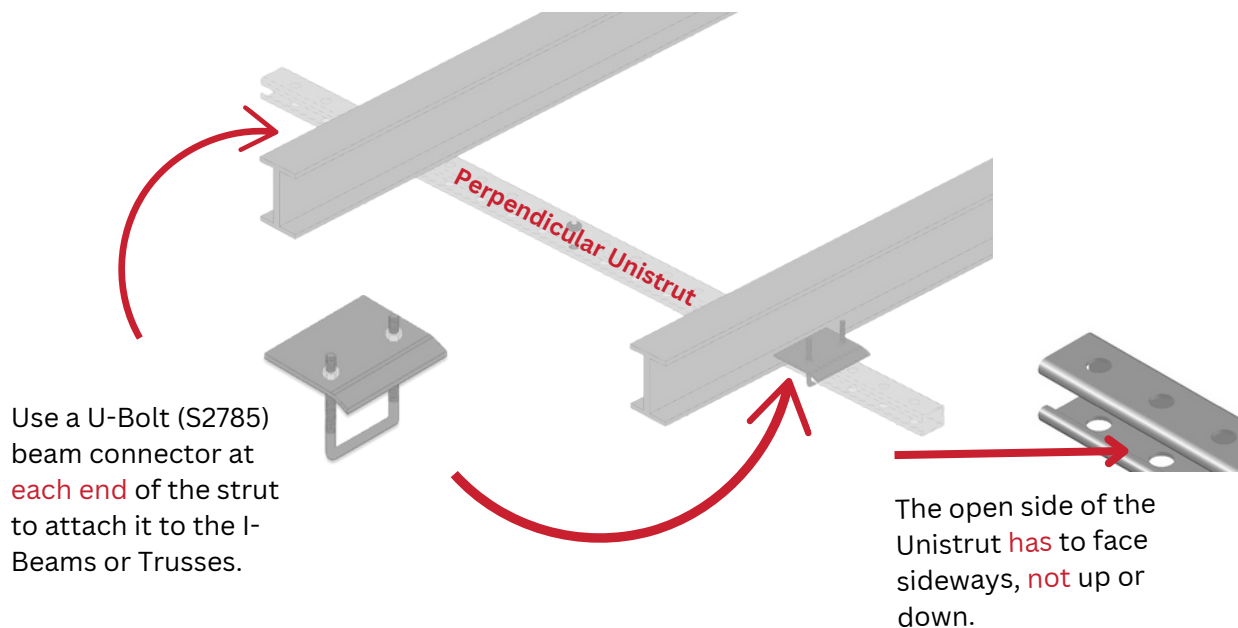
STEP 1 - Make sure you received all the parts you ordered

- Compare the parts that you received with the packing list.
- To visually identify the parts listed on your packing list, please consult the components list found in these installation instructions spanning the last two pages.

... to hang the track **Parallel Between** (not suspended)

STEP 2 - Mount the **perpendicular** Unistrut to the I-Beams/Trusses

Place a **perpendicular** supporting Unistrut every 5 feet.



The U-Bolts (S2785) must be placed on the **outside** of the beam for stability. The Unistrut must have a 4" minimum overhang on each side of the I-Beams or Trusses. Space the remaining Unistrut 5' on center and attach to the structure using the same method as the first one.

STEP 3 - A good time to check the height!

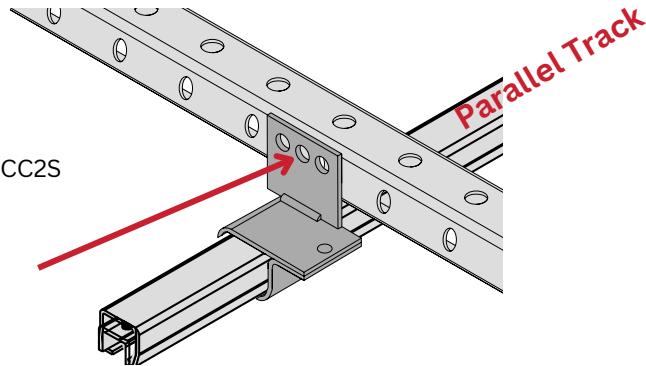
Important: The **top** of the track **must** be installed at **_____ ft. _____ in. off of the floor.**

This dimension is also located atop your quotation. There will be a 1" gap between the bottom edge of the curtain and the floor. A floor sweep will cover the open space at the bottom of the curtain if it is included in your purchase. Make sure that the strut is leveled.

Parallel Direct between existing structure

STEP 4 - Attach the **parallel** Beam/Chain Track System

Using the Hardware Package P/N: BCC2S
Consisting of:
1 each 2.4" long 3/8" dia. -16 Bolt
1 each Flat Washer
1 each Lock Washer
1 each 3/8" -16 Nut



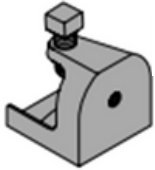
Attach a Beam/Chain connector or split support at every supporting perpendicular Unistrut using the hardware package shown above.

STEP 5 - Please attach the beam/chain track system using our **additional installation instructions** for the Beam/Chain track system.

Options to attach the top end of the threaded rod to your ceiling structure

Suspending from an I-Beam or Truss/Joist


1" Threaded Rod Clamp



P/N: THRCL

Quantity: _____

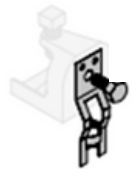
Side Bolt 3/8" - 16, 3/4" long



P/N: BLT

Quantity: _____

Threaded Rod Side Plate



P/N: STHRMP

Quantity: _____

1 1/16" Swivel Clamp

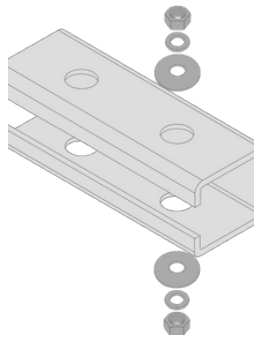


P/N: SLTHRCL

Quantity: _____

Suspending from Truss /Joist or Unistrut

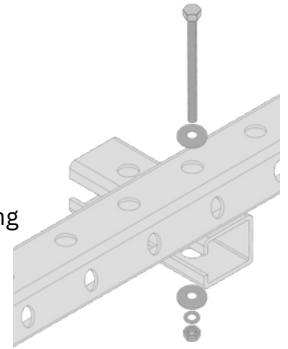
Strut connection to Threaded Rod Hardware package



P/N: TROD2S
Includes:
1 each washer
1 each lock washer
1 each nut 3/8" - 16

Quantity: _____

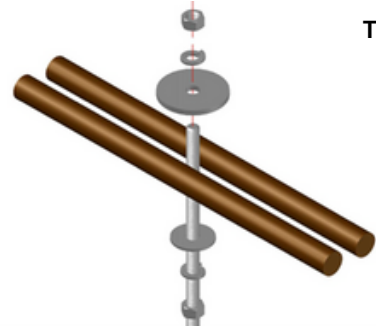
Strut to strut connection Hardware package



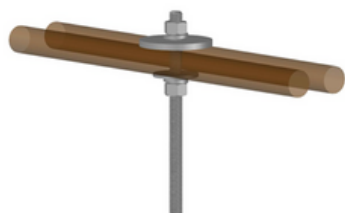
P/N: S2S
Includes:
1 each Bolt 3/8" - 16, 4" long
2 each washers
1 each lock washer
1 each nut 3/8" - 16

Quantity: _____

Threaded Rod to Truss Hardware package



P/N: TROD2T
Includes:
1 each big flange washer
1 each regular washer
2 each lock washers
2 each 3/4" - 16 nuts



Quantity: _____

Other supporting hardware options to attach to your ceiling structure

Ceiling mount plate




P/N: THRMP

Quantity: _____

Angle Bracket with side mount plate **1" x 1" Angle Bracket** **Nut & Bolt set 3/8" -16** **Threaded Rod Side plate**

Front and side view



Parts ordered separately: P/N: AB-P1026 P/N: AB-P1026 P/N: STHRMP

Quantity: _____

Suspension Hardware

3/8" - 16 Threaded Rod
Incl. 3 ea. Nuts



P/N: THR Length
Available in 2', 3', 4', 6'

Quantity: _____

Threaded Rod Coupling



P/N: THRCP

Quantity: _____

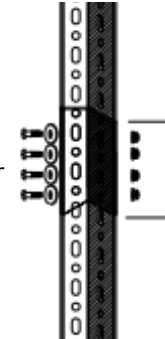
Slotted Angle



P/N: SLA-158 + Length
Available in 4', 5', 6', 8'

Quantity: _____

Slotted Angle connection hardware

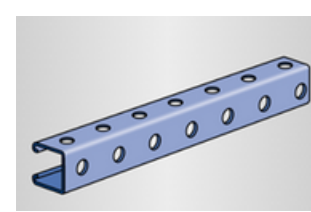


Need 4 sets per connection
P/N: SLAH
1 each Bolt
1 each washer
1 each nut

Quantity: _____

Horizontal Support Hardware

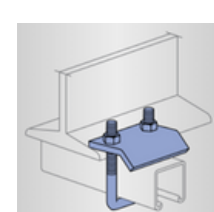
Unistrut Sections



P/N: S-10003 + Length
Available 2' to 10'
9/16" dia. holes 1.7/8" on center

Quantity: _____

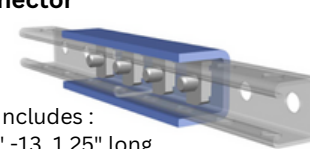
U-Bolt



P/N: S2785
incl. 2 nuts


Quantity: _____

Unistrut connector

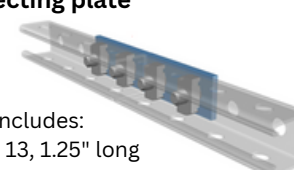


P/N: S1377 EG Includes :
4 each Bolt 1/2" -13, 1.25" long
4 each threaded nuts

4 X 4 X




Unistrut connecting plate



P/N: S-1067 EG Includes:
4 each Bolt 1/2" - 13, 1.25" long
4 each threaded nuts

4 X 4 X



Quantity: _____