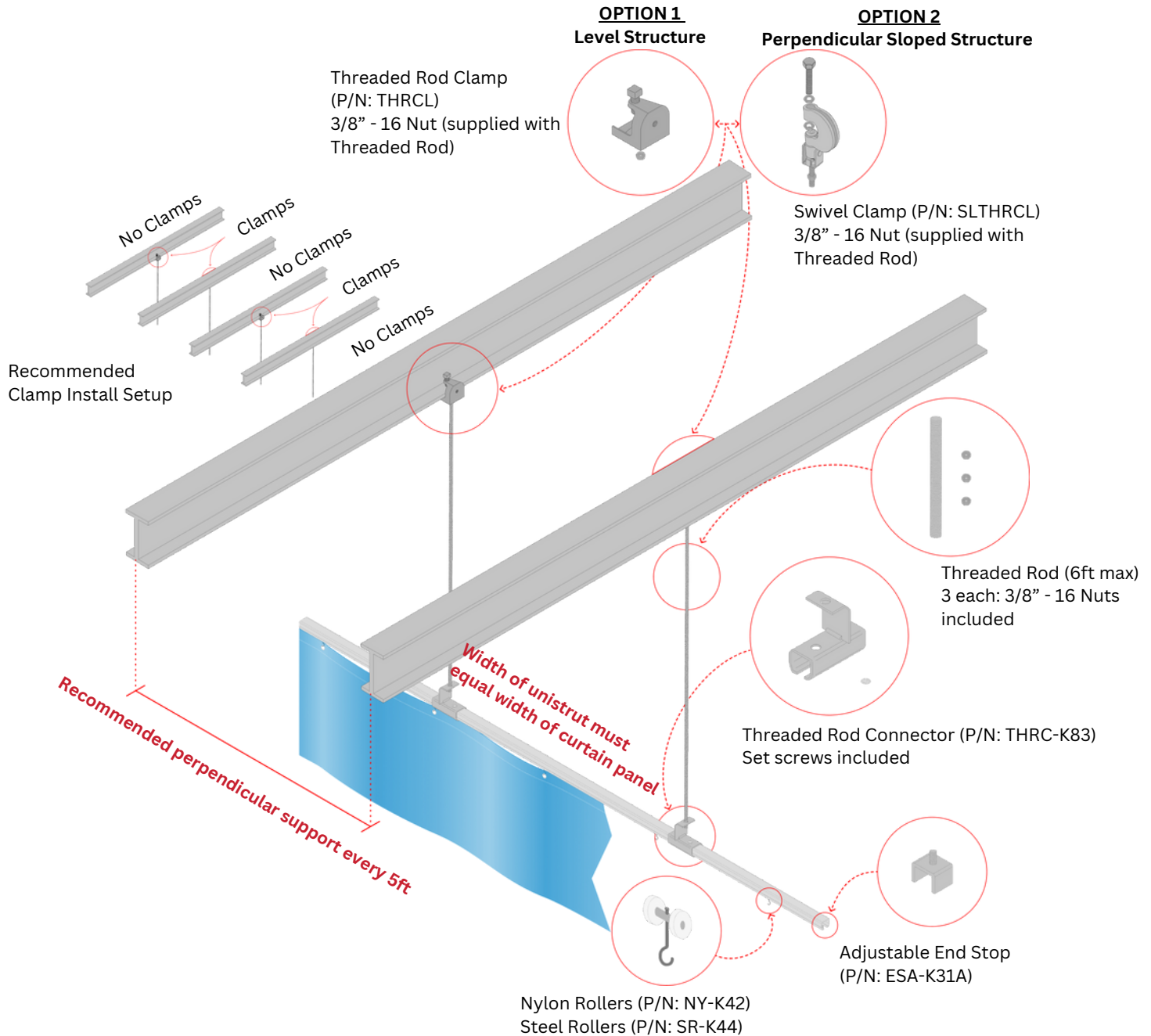


... to hang the track **Suspended Perpendicular**

This method of installation is used when the stationary curtain is to be suspended perpendicular to the existing ceiling structure. This option can be used for **level** or **sloped** ceiling structures. The method uses beam clamps to attach threaded rod to the perpendicular structure. The threaded rod track system is mounted to the bottom of the threaded rods.



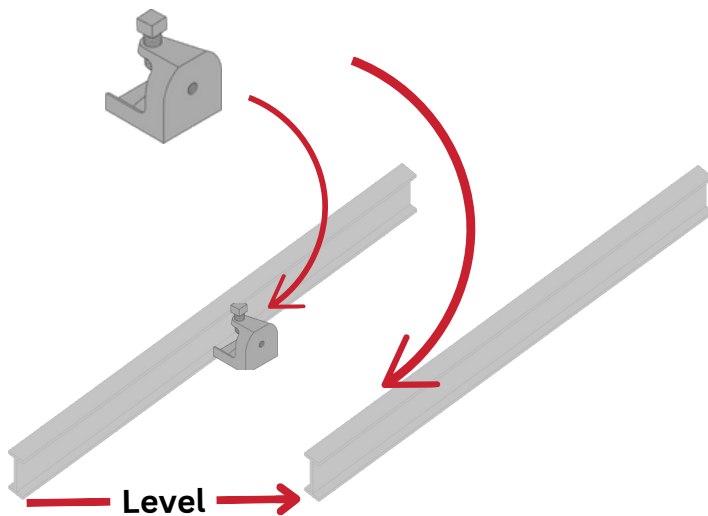
STEP 1 - Make sure you received all the parts you ordered

- Compare the parts that you received with the packing list.
- To visually identify the parts listed on your packing list, please consult the components list found in these installation instructions spanning the last two pages.

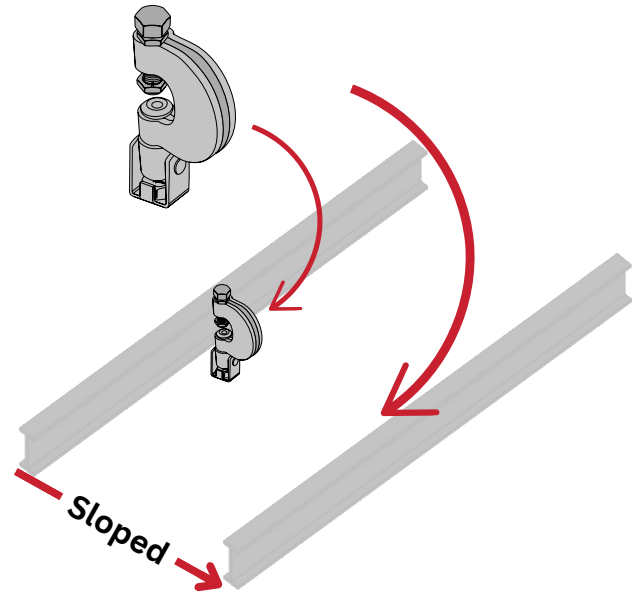
... to hang the track **Suspended Perpendicular**

STEP 2 - Attach the threaded rod beam clamps to the **leveled** or **sloped** supporting beam. For sloped beams use the swivel clamp.

Attaching to leveled beams



Attaching to sloped beams



If your support beams are **leveled** use the **threaded rod beam clamp** (THRCL).

If your support beams are **sloped** use the **swivel clamp** (SLTHRC).

Attach the beam clamps to the parallel support beams in the ceiling along the curtain run, placing the clamps **so they face each other** (see Recommended Clamp Install Illustration above). The track must be supported every 5 to 6 feet depending on the weight load.

STEP 3 - A good time to check the height!

Important: The **top** of the track **must** be installed at _____ **ft.** _____ **in.** **off of the floor.**

This dimension is also located atop your quotation. There will be a 1" gap between the bottom edge of the curtain and the floor. A floor sweep will cover the open space at the bottom of the curtain if it is included in your purchase.

... to hang the track **Suspended Perpendicular**

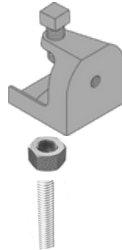
STEP 4 - If necessary, cut the threaded rod to the **correct** length

Please ensure that the threaded rods are cut to the necessary length, taking into consideration the correct height of the track from which the curtains will be hung. Verify that the threaded rod is long enough to pass through the upper flange of the threaded rod connectors or split supports with extra length to accommodate the bolt assembly. **If no cutting is necessary, please do not cut the threaded rod.**

STEP 5 - Attach the top end of the threaded rod to the clamps

STEP 5a - For leveled beams: Attach the threaded rods to the threaded rod beam clamps.

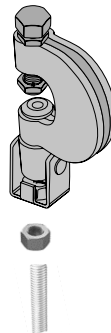
Thread 1 hex nut into the top end of the threaded rod (about 1" down) and thread the threaded rod into the beam clamp bottom hole, tighten the nut against the bottom of the clamp.



Threaded Rod Clamp (P/N: THRCL)
3/8" -16 Nut supplied with the
Threaded Rod

STEP 5b - For sloped beams: Attach the threaded rods to a swivel clamps.

Thread 1 hex nut about 1" down on the threaded rod top end and screw the top end into the bottom of the swivel clamp. Now tighten the nut against the bottom of the swivel clamp to secure the connection.



Swivel Clamp (P/N: SLTHRCL)
3/8" -16 Nut supplied with the
Threaded Rod

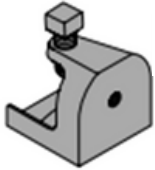
STEP 6 - Ready to attach the Threaded Rod Track System onto the bottom of the threaded rods.

To continue, please refer now to the
Threaded Rod Track System Installation Instructions.

Options to attach the top end of the threaded rod to your ceiling structure

Suspending from an I-Beam or Truss/Joist


1" Threaded Rod Clamp



P/N: THRCL

Quantity: _____


Side Bolt 3/8" - 16, 3/4" long



P/N: BLT

Quantity: _____

Threaded Rod Side Plate



P/N: STHRMP

Quantity: _____

1 1/16" Swivel Clamp

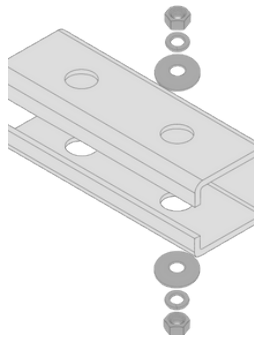


P/N: SLTHRCL

Quantity: _____

Suspending from Truss /Joist or Unistrut

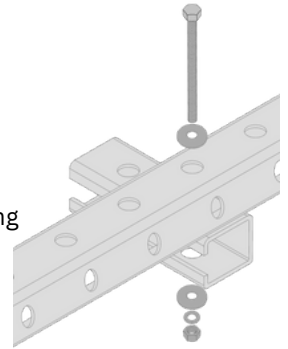
Strut connection to Threaded Rod Hardware package



P/N: TROD2S
Includes:
1 each washer
1 each lock washer
1 each nut 3/8" - 16

Quantity: _____

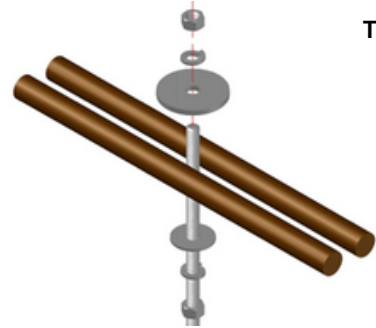
Strut to strut connection Hardware package



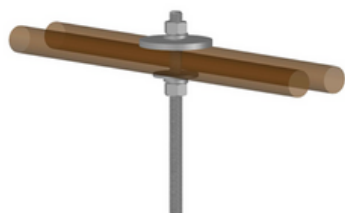
P/N: S2S
Includes:
1 each Bolt 3/8" - 16, 4" long
2 each washers
1 each lock washer
1 each nut 3/8" - 16

Quantity: _____

Threaded Rod to Truss Hardware package



P/N: TROD2T
Includes:
1 each big flange washer
1 each regular washer
2 each lock washers
2 each 3/4" - 16 nuts



Quantity: _____

Other supporting hardware options to attach to your ceiling structure

Ceiling mount plate




P/N: THRMP

Quantity: _____

Angle Bracket with side mount plate **1" x 1" Angle Bracket** **Nut & Bolt set 3/8" -16** **Threaded Rod Side plate**

Front and side view



Parts ordered separately: P/N: AB-P1026 P/N: AB-P1026 P/N: STHRMP

Quantity: _____

Suspension Hardware

3/8" - 16 Threaded Rod
Incl. 3 ea. Nuts



P/N: THR Length
Available in 2', 3', 4', 6'

Quantity: _____

Threaded Rod Coupling



P/N: THRCP

Quantity: _____

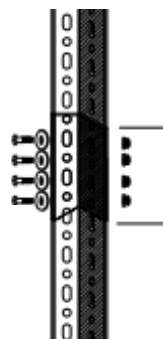
Slotted Angle



P/N: SLA-158 + Length
Available in 4', 5', 6', 8'

Quantity: _____

Slotted Angle connection hardware

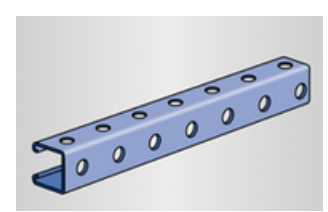


Need 4 sets per connection
P/N: SLAH
1 each Bolt
1 each washer
1 each nut

Quantity: _____

Horizontal Support Hardware

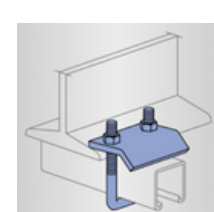
Unistrut Sections



P/N: S-10003 + Length
Available 2' to 10'
9/16" dia. holes 1.7/8" on center

Quantity: _____

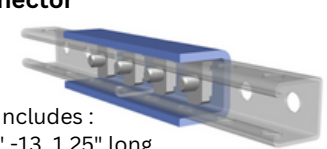
U-Bolt



P/N: S2785
incl. 2 nuts

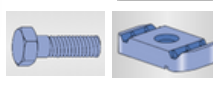
Quantity: _____

Unistrut connector

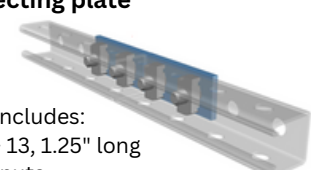


P/N: S1377 EG Includes :
4 each Bolt 1/2" -13, 1.25" long
4 each threaded nuts

4 X 4 X

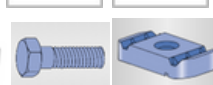


Unistrut connecting plate



P/N: S-1067 EG Includes:
4 each Bolt 1/2" - 13, 1.25" long
4 each threaded nuts

4 X 4 X



Quantity: _____